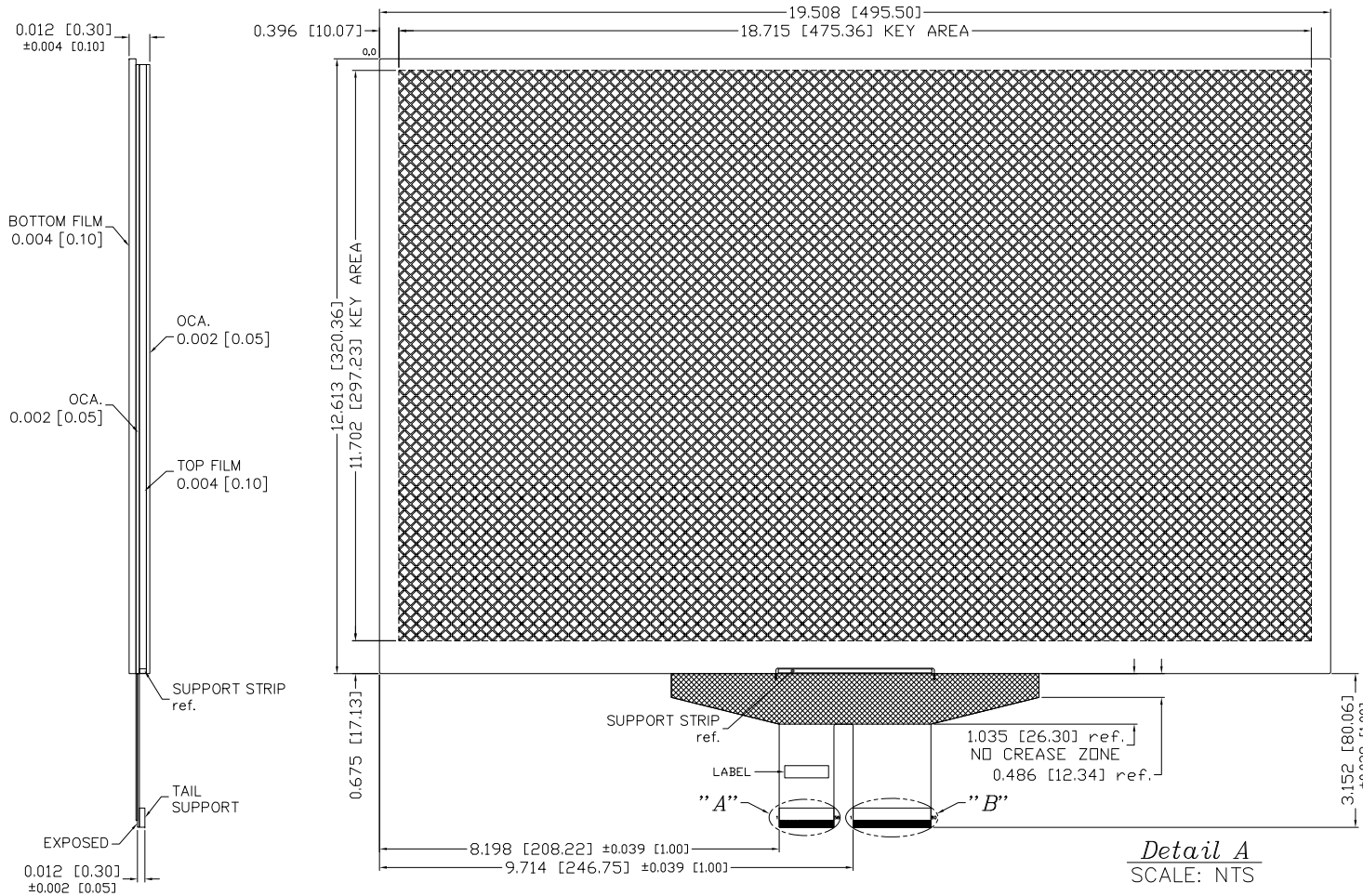


****PRODUCT VIEWED FEATURES NO GLASS COVER LAYER.****
CONTACT GUNZE USA FOR YOUR GLASS COVER LAYER OPTIONS.

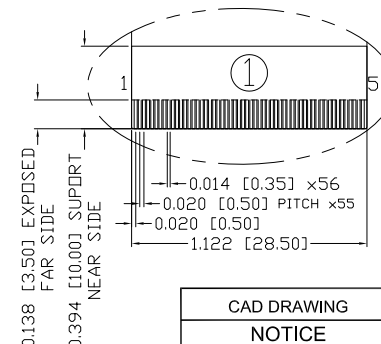
REVISIONS		
REV.	DESCRIPTION	DATE
0	INITIAL RELEASE	09/09/14
A	ECO #250303	03/03/15
B	ADDED NOTE 7 INFORMATION	05/27/15
1	UPDATED FLEX PROFILE CHANGE ELECTRODE THICKNESS	10/25/16

GENERAL NOTES:

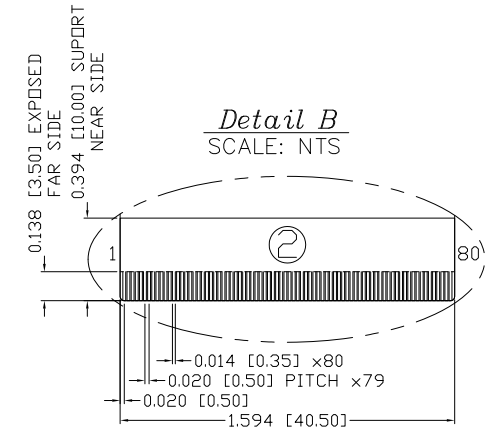
- ELECTRICAL:
3 - 5 V
- OPERATION TEMPERATURE:
-10° TO 60°C
- HUMIDITY:
< 40°C 20% to 95% RH NO CONDENSATION.
- STORAGE TEMPERATURE:
20°C TO 70°C
- FFC BEND R > 2.0MM
NO SHARP CREASE
- TP CONTROLLER INFO:
CONTROLLER PART #: 1005-0151 TUNED TO F/F ONLY.
CABLE - PART #: 909-0220 & 909-0440
- OPTICAL PER.
84% TRANSPARENCY
PER JIS K7361-1



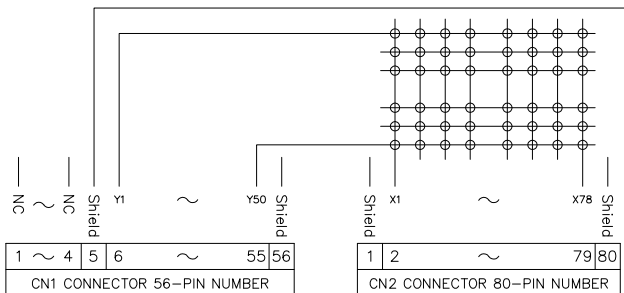
Detail A
SCALE: NTS



Detail B
SCALE: NTS



Y1-Y50, X1-X78
Key Matrix



CAD DRAWING NOTICE THIS DRAWING EMBODIES A PROPRIETARY DESIGN ORIGINATED BY GUNZE ELECTRONICS USA CORPORATION AND SHALL NOT BE REPRODUCED, USED, OR DUPLICATED FOR PROCUREMENT OR MANUFACTURING PURPOSES, UNLESS SPECIFICALLY AUTHORIZED BY GUNZE ELECTRONICS USA CORPORATION. ALL PATENT RIGHTS RELATING HERETO ARE EXPRESSLY RESERVED FOR GUNZE ELECTRONICS USA CORPORATION. This notice shall be marked on any reproduction hereof in whole or part.	DEC. TOLERANCES: .XXX = ±0.012 [.XX] = ±[0.30]	DESIGNER: VTRINH 09/09/14 CHKD.	Gunze Electronics USA Corporation 2113 Wells Branch Parkway #5400 Austin, Texas 78728 GUNZE USA
	DIM CODE: INCHES [MILLIMETERS]	DESIGN ENG. LHRUIZ 09/09/14 VIEW POINT:	
	PRELIMINARY #: ER14-0803	TITLE: 3000 SERIES EETI CONTROLLER 22.0D, 50x78; P-CAP, USB.	
	MATERIAL SPEC.	PART NO. 170-4261	
	RLS. 10/25/16	SCALE: 1:1	REVISION: 0