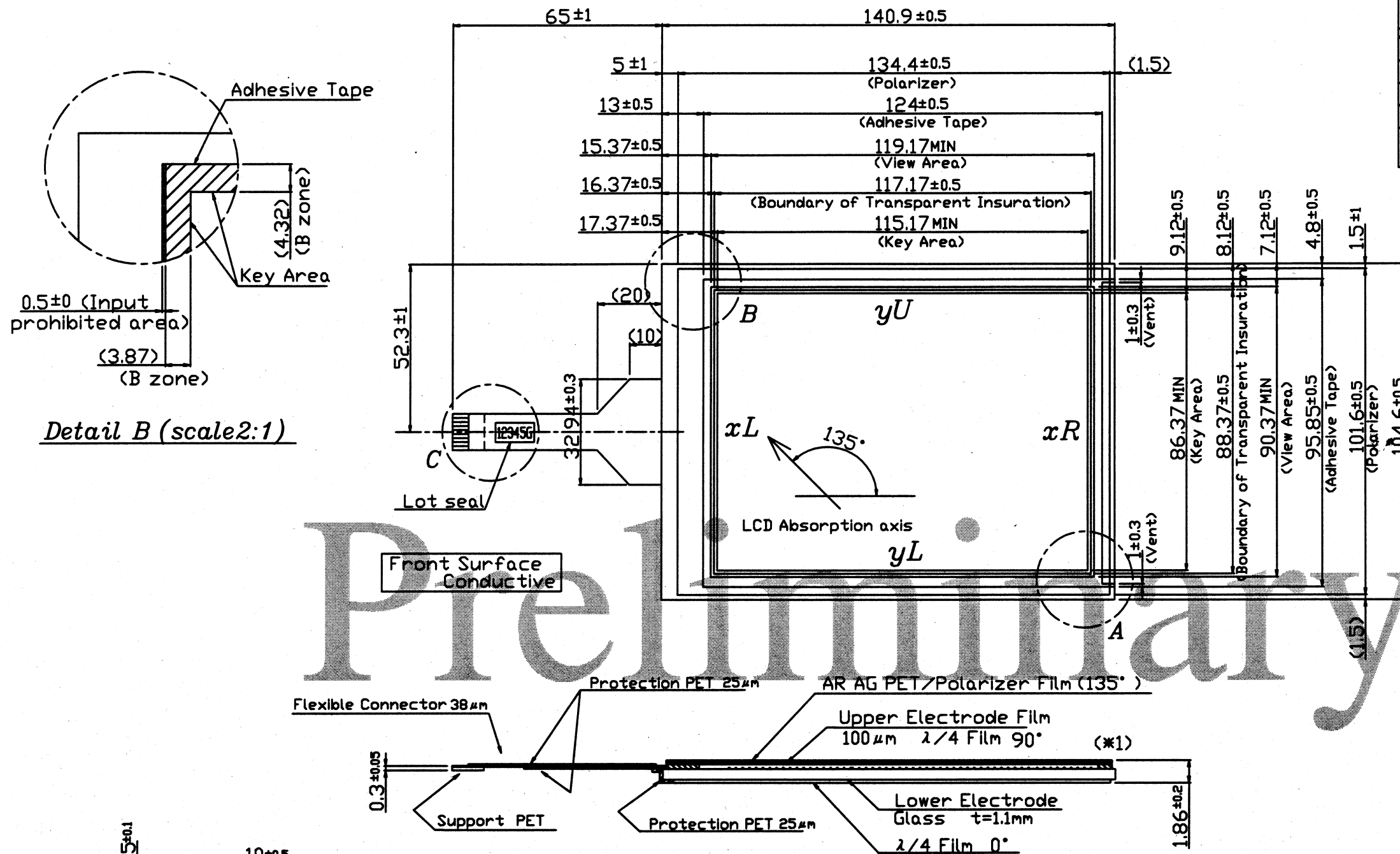
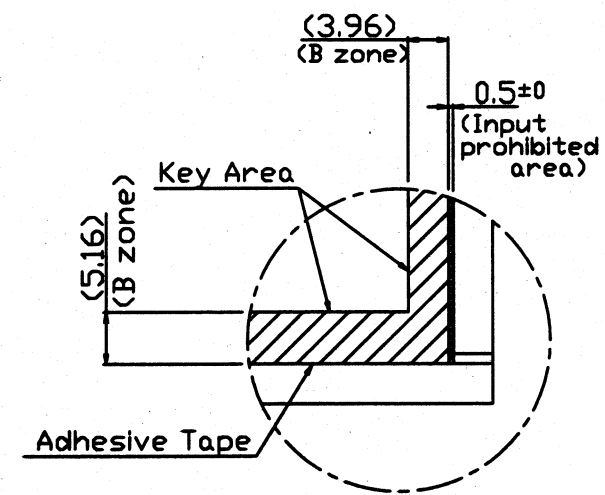


Touch panel Individual Specification			unit
Terminals resistance	Top electrode	240 ~ 660	Ω
	Bottom electrode	210 ~ 850	Ω
Linearity		1.5 Max,	%
Capacity		100 Max,	nF
Chattering		10 Max,	ms
Operation starting force		0.1 ~ 2.5	N
Transmission factor (Transparency)		Typ, 37	%

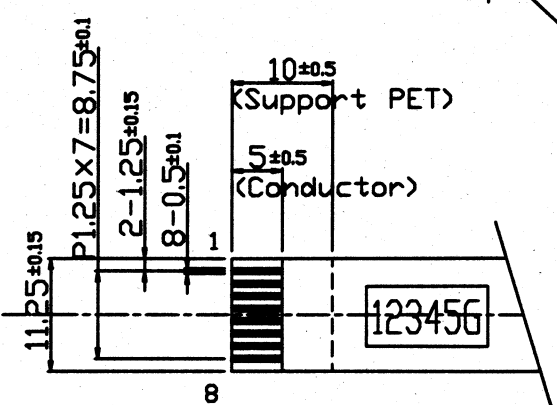
This drawing is applied to the specification with the same model number.



Detail B (scale 2:1)



Detail A (scale 2:1)



Detail C (scale 2:1)

Pin	ASSIGNMENT
1	xR REF.
2	xL REF.
3	xL
4	xR
5	yU
6	yU REF.
7	yL REF.
8	yL

(*1) Conductive layer appeared along 4 sides (insulated from Traces and Active Area)

(*1) Only internal use for the control code			DATE : 2006.6.16
APPROVED: <i>[Signature]</i>			TITLE : TOUCH PANEL
CHECKED: <i>[Signature]</i>			MODEL : GEU-07-1D
DRAWN: <i>Keiji Takamoto</i>			CONTROL CODE : V1
DESIGNED: <i>Keiji Takamoto</i>			PART : T/P DRAWING
ISSUE	DATE	REVISIONS	SCALE : 1/15
GUNZE LIMITED ELECTRONIC Components Division			DRAWING No.: GEU-07F1D-V1-01