

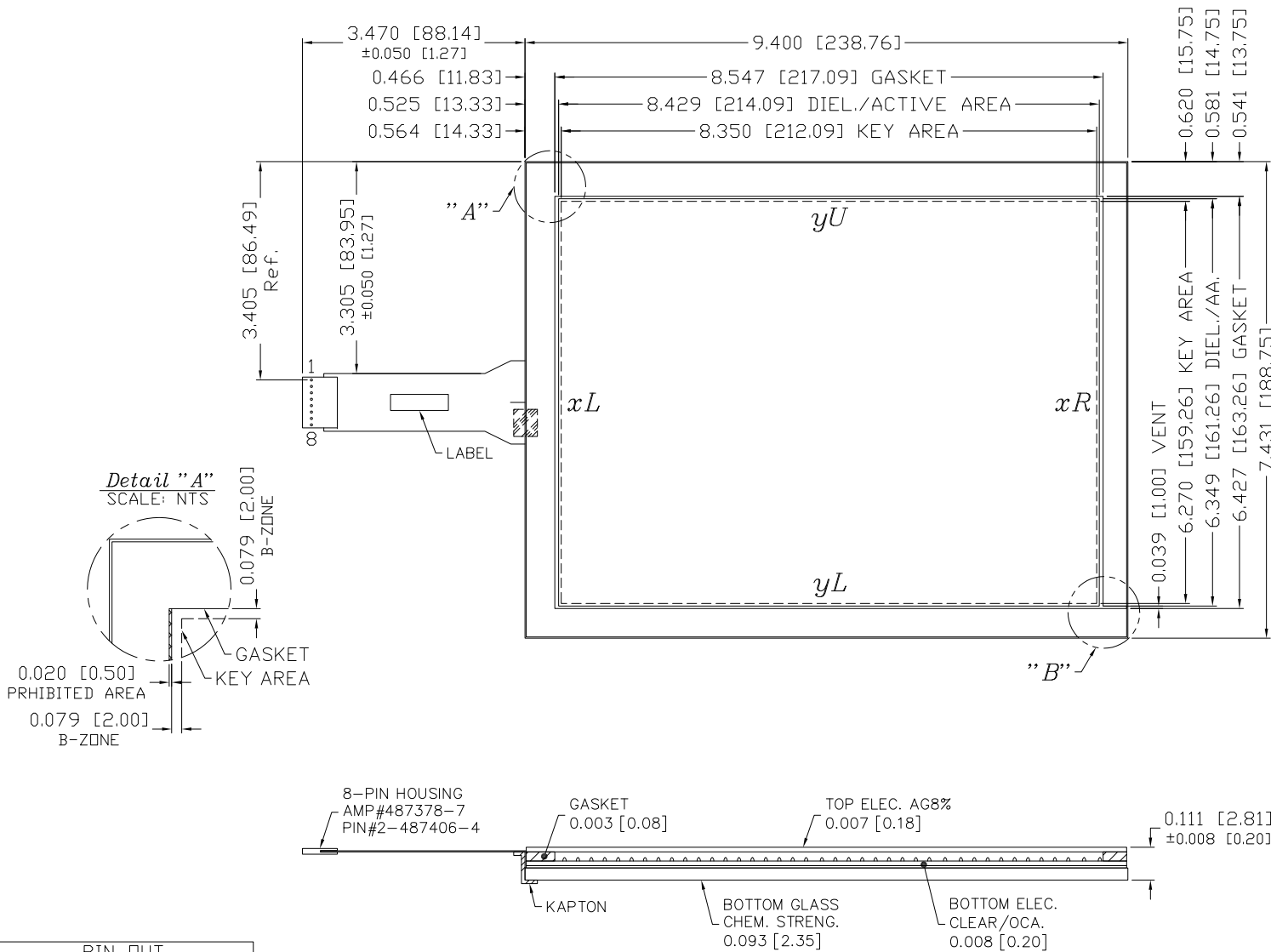
SENSOR SPECIFICATION

LINEARITY	ACTUATION FORCE	OPTICAL PER.
±1.5% AVG 3% MAX. DEV.	0.10 N (10 g) Min., 0.80N (80 g) Max. STYLUS: R0.8 TIP, FINGER: R3.0 TIP	79% TRANSPARENCY PER JIS K7361-1

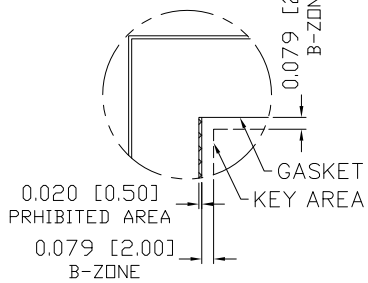
REVISIONS		
REVISION	DESCRIPTION	DATE
1490 Rev.0	INITIAL RELEASE	01/16/08
1490 Rev.A	ECO #270210: OCA, CHANGE FROM P043FP-2 TO NNA50.	02/28/17
1491 Rev.0	ECO #271001: TOP & BOTTOM ELEC. MATERIALS CHANGE.	10/04/17

GENERAL NOTES:

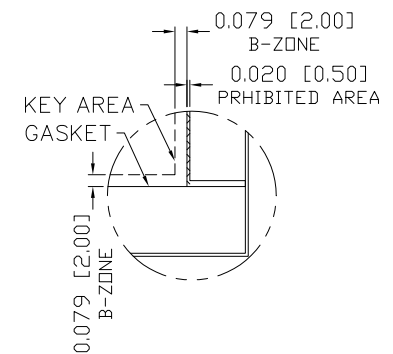
1. TOP & BOT. ELECTRODE OFFSET FROM GLASS PERIMETER 0.020 [0.50]
2. MAX. VOLTAGE & CURRENT: 5 VDC, LESS THEN 1mA AT CONTACT POINT FROM TOP LAYER TO BOTTOM LAYER.
3. OPERATION TEMPERATURE: -30°C TO +60°C
4. OPERATION HUMIDITY: < 40°C 20 - 95% RH NO DEW CONDENSATION ALLOWED
5. STORAGE TEMPERATURE: -40°C TO +85°C
6. BEND FLEXTAIL > 2.0mm NO SHARP CREASE
7. SURFACE HARDNESS: 3H AS PER JIS K 5400
8. COSMETIC INSPECTION: GUNZE GRADE 3X
9. TERMINAL RESISTANCE:
XR-XL = 250-650Ω
YU-YL = 130-440Ω



Detail "A"
SCALE: NTS



Detail "B"
SCALE: NTS



PIN OUT		
1	XR	RIGHT EXCITE
2	XR REF	RIGHT SENSE
3	XL REF	LEFT SENSE
4	XL	LEFT EXCITE
5	YU	TOP EXCITE
6	YU REF	TOP SENSE
7	YL REF	BOT. SENSE
8	YL	BOT. EXCITE

CAD DRAWING	DEC. TOLERANCES: .XXX = ±0.020 [.XX] = ±[0.51]	DESIGNER: VTRINH 01/15/08 CHKD.:	GUNZE USA Gunze Electronics USA Corporation 2113 Wells Branch Parkway Austin, Texas 78728
NOTICE	ANGULAR TOL. = ±1° FRAC. TOL. XX = ±1/16	DESIGN ENG. LHRUIZ 01/15/08 VIEW POINT:	
THIS DRAWING EMBODIES A PROPRIETARY DESIGN ORIGINATED BY GUNZE ELECTRONICS USA CORPORATION AND SHALL NOT BE DISCLOSED, USED, OR DUPLICATED FOR PROCUREMENT OR MANUFACTURING PURPOSES, UNLESS SPECIFICALLY AUTHORIZED BY GUNZE ELECTRONICS USA CORPORATION. ALL PATENT RIGHTS RELATING HERETO ARE EXPRESSLY RESERVED FOR GUNZE ELECTRONICS USA CORPORATION. This notice shall be marked on any reproduction hereof in whole or part.	DIM CODE: [INCHES] [MILLIMETERS]	MATERIAL SPEC. RES-10.4-PL8	TITLE: SENSOR, 10.4D 8-WIRE
RoHS COMPLIANT	REVISION: 10/04/17	SCALE: 1:1	CUSTOMER ID: GUNZE USA