

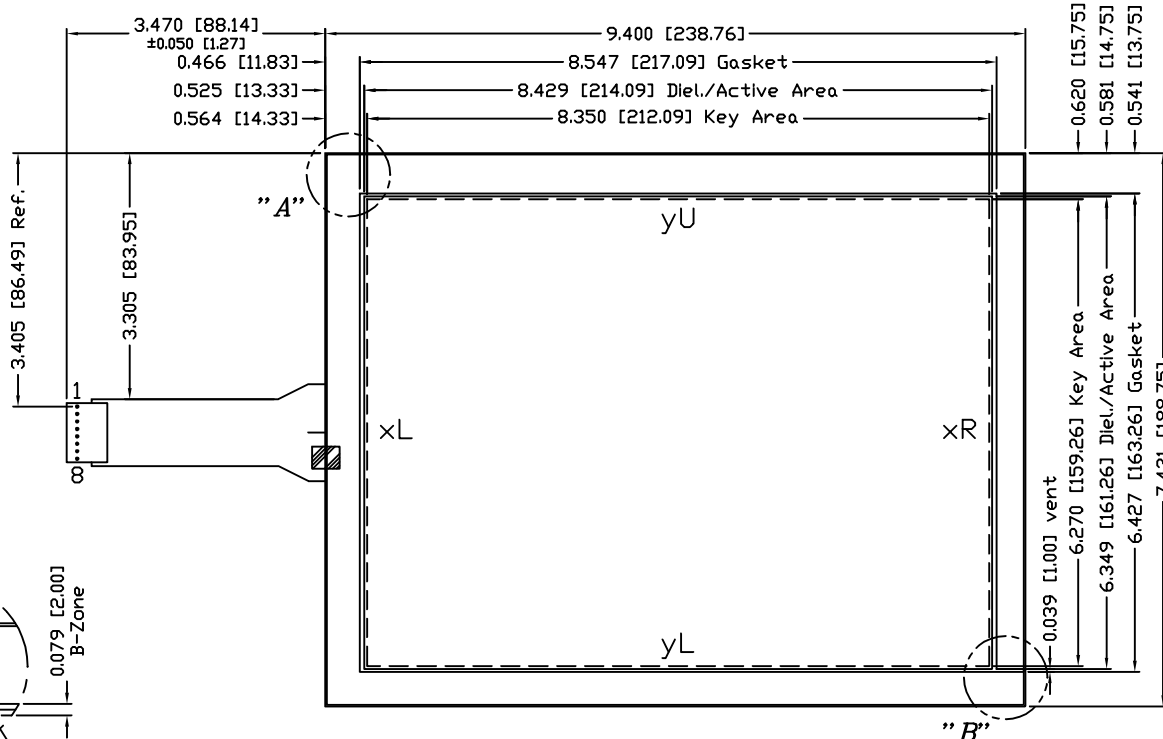
SENSOR SPECIFICATION

LINEARITY	ACTUATION FORCE	OPTICAL PER.
±1.5% AVG 3% MAX. DEV.	0.10 N (10 g) Min., 0.80N (80 g) Max. STYLUS: R0.8 TIP, FINGER: R3.0 TIP	70% TRANSPARENCY PER JIS K7361-1

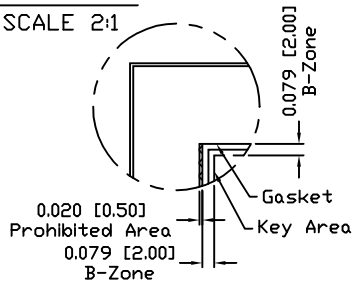
REVISIONS		
REV.	DESCRIPTION	DATE
0	INITIAL RELEASE	01/16/08
1		
2		
3		
4		
5		
6		
7		

GENERAL NOTES:

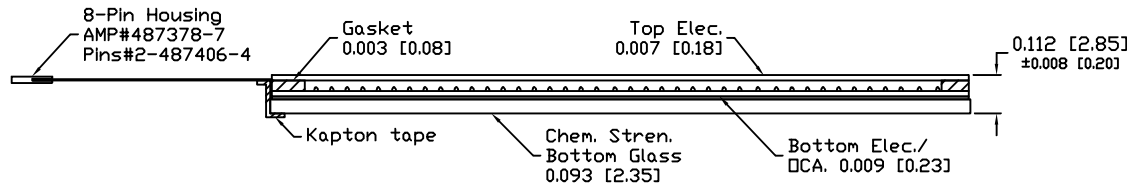
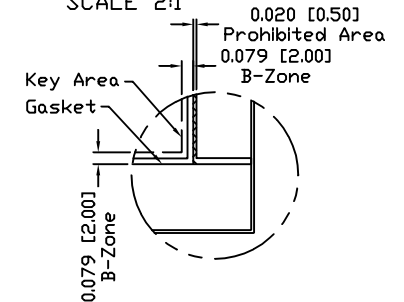
1. TOP & BOT. ELECTRODE OFFSET FROM GLASS PERIMETER 0.020 [0.50]
2. MAX. VOLTAGE & CURRENT: 5 VDC, LESS THEN 1mA AT CONTACT POINT FROM TOP LAYER TO BOTTOM LAYER.
3. OPERATION TEMPERATURE: -30°C TO +60°C
4. OPERATION HUMIDITY: < 40°C 20 - 95% RH NO DEW CONDENSATION ALLOWED
5. STORAGE TEMPERATURE: -40°C TO +85°C
6. BEND FLEXTAIL > 2.0mm NO SHARP CREASE
7. SURFACE HARDNESS: 3H AS PER JIS K 5400
8. COSMETIC INPSECTION: GUNZE GRADE 3X
9. TERMINAL RESISTANCE:
XR-XL = 250-650Ω
YU-YL = 130-440Ω



Detail A
SCALE 2:1



Detail B
SCALE 2:1



PIN OUT		
1	XR	RIGHT EXCITE
2	XR REF	RIGHT SENSE
3	XL REF	LEFT SENSE
4	XL	LEFT EXCITE
5	YU	TOP EXCITE
6	YU REF	TOP SENSE
7	YL REF	BOT. SENSE
8	YL	BOT. EXCITE

CAD DRAWING NOTICE <small>THIS DRAWING EMBODIES A PROPRIETARY DESIGN ORIGINATED BY GUNZE ELECTRONICS USA CORPORATION AND SHALL NOT BE REPRODUCED, USED, OR DUPLICATED FOR PROCUREMENT OR MANUFACTURING PURPOSES, UNLESS SPECIFICALLY AUTHORIZED BY GUNZE ELECTRONICS USA CORPORATION. ALL PATENT RIGHTS RELATING HERETO ARE EXPRESSLY RESERVED FOR GUNZE ELECTRONICS USA CORPORATION. This notice shall be marked on any reproduction hereof in whole or part.</small>	DEC. TOLERANCES: .XXX = ±0.020 [.XX] = ±[0.51] <small>ANGULAR TOL. = ±1° FRAC. TOL. XX = ±1/16</small>	DESIGNER: VTRINH 01/15/08 CHKD: DESIGN ENG: LHRUIZ 01/15/08 VIEW POINT: 	 Gunze Electronics USA Corporation 2113 Wells Branch Parkway Austin, Texas 78728 TITLE: SENSOR, 10.4D 8-WIRE PART NO. 140-1490 CUSTOMER ID. GUNZE USA
	DIM CODE: INCHES (MILLIMETERS) FINISH: RES-10.4-PL8 MATERIAL SPEC: RoHS COMPLIANT	01/16/08	