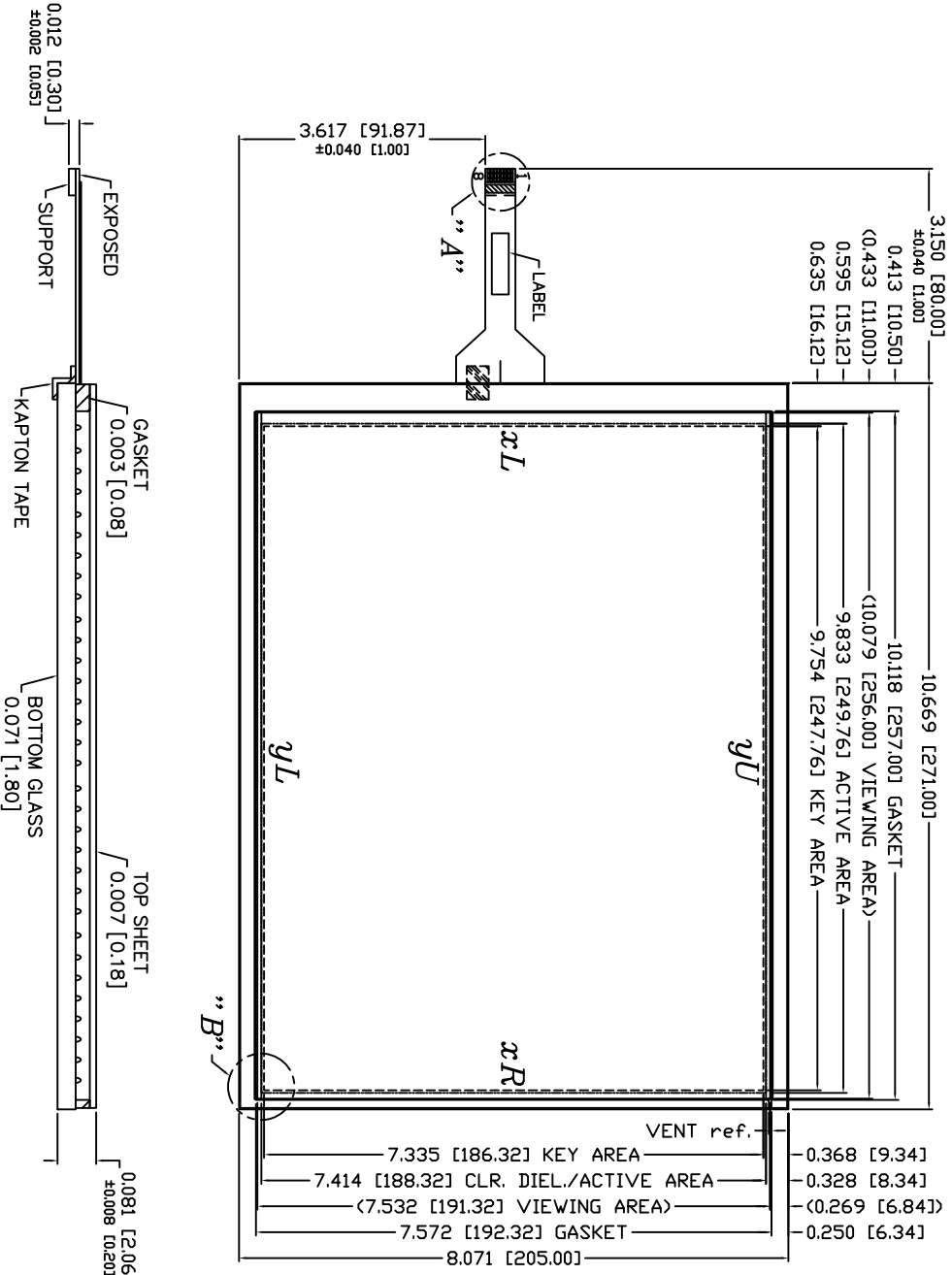
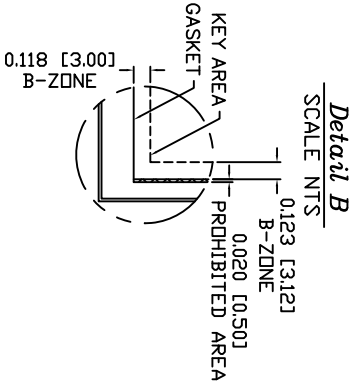
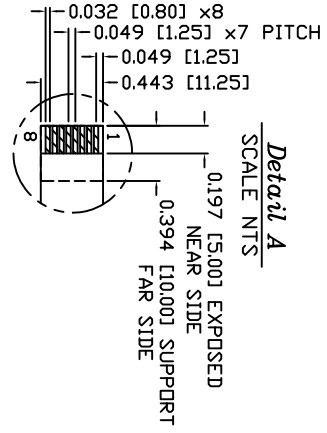


# SENSOR SPECIFICATION

LINEARITY	ACTUATION FORCE	OPTICAL PER.
±1.5% AVG 3% MAX. DEV.	0.10 N (10 g) Min., 0.79 N (80 g) Max. STYLUS: R08 TIP DR FINGER	79% TRANSPARENCY PER JIS K7361-1



PIN	OUT
1	XR REF.
2	XL REF.
3	XL
4	XR
5	YU
6	YU REF.
7	YL REF.
8	YL



REV.	DESCRIPTION	DATE
0	ECD #280416: MICOVA CONVERSION	05/13/08
A	Tail & Edge Details how the "x" & "y" Test Stamped	06/25/15
B	UPDATE B-ZONE DETAIL TO CURRENT STANDARD.	02/02/16
C		
D		
E		
F		
G		

### GENERAL NOTES:

- TOP FILM OFFSET 0.020 [0.50] FROM BOTTOM GLASS.
- MAX. VOLTAGE & CURRENT:  
5 VDC, LESS THEN 1mA AT CONTACT POINT FROM TOP LAYER TO BOTTOM LAYER.
- OPERATION TEMPERATURE:  
-10°C TO 60°C
- OPERATION HUMIDITY:  
< 40°C 20% TO 95% RH NO CONDENSATION.
- STORAGE TEMPERATURE:  
-20°C TO 70°C
- FFC BEND R > 2.0MM  
NO SHARP CREASE
- SURFACE HARDNESS:  
3H AS PER JIS K 5400
- COSMETIC INSPECTION:  
GRADE 3x
- TERMINAL RESISTANCE:  
3XL-4XR = 250-670Ω  
5YU-8YL = 240-750Ω

CAD DRAWING NOTICE

DEC. TOLERANCES:  
XXX = ±0.020 [XX] = ±0.51 [XX] = ±1.27 [XX]

DESIGNER: KILLIARD 07/28/08  
 CHECK: LHRUIZ 05/01/06  
 TITLE: SENSOR, 12.1D 8-WIRE

Part No: 100-1710  
 Scale: 1:1

Customer ID: GUNZE

Gunze Electronics USA Corporation  
 2113 Wells Branch Parkway  
 Austin, Texas 78728

**GUNZE USA**