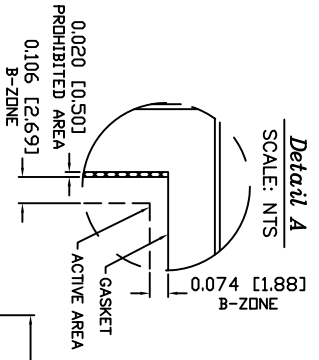
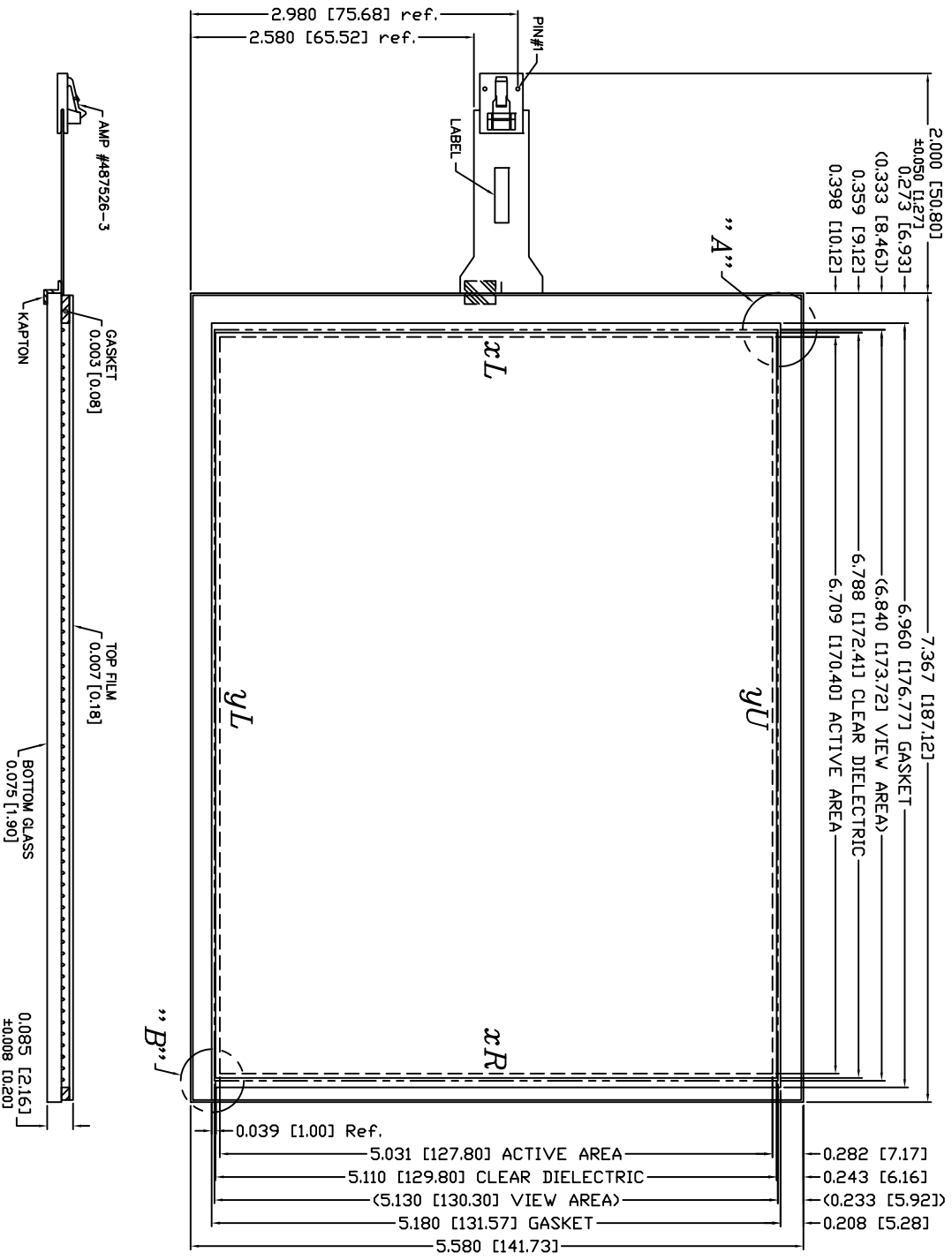


Detail A
SCALE: NTS



SENSOR SPECIFICATION

LINEARITY	ACTUATION FORCE	OPTICAL PER.
±1.5% AVG. 3% MAX. DEV.	0.10 N (10 g) Min., 0.80N (80 g) Max. STYLUS: R08 TIP, FINGER: R30 TIP	79% TRANSPARENCY PER JIS K7361-1

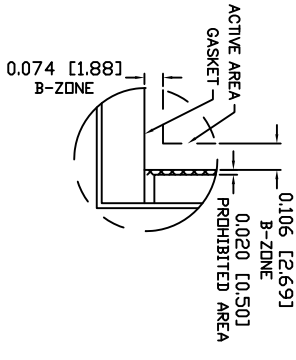


REV.	DESCRIPTION	DATE
0	INITIAL RELEASE	11/16/16
A		
B		
C		
D		
E		
F		
G		

GENERAL NOTES:

1. TOP SHEET 0.020 [0.50] FROM GLASS PERIMETER ALL AROUND.
2. MAX. VOLTAGE & CURRENT:
3. 5 VDC, LESS THEN 1mA AT CONTACT POINT FROM TOP LAYER TO BOTTOM LAYER.
4. COSMETIC INSPECTION:
5. GUNZE GRADE 3X
6. OPERATION TEMPERATURE: -10°C TO 60°C
7. OPERATION HUMIDITY: < 40°C 20% TO 95% RH NO CONDENSATION.
8. STORAGE TEMPERATURE: -20°C TO 70°C
9. FCC BEND R > 2.0MM
10. ND SHARP CREASE
11. SURFACE HARDNESS 3H PER JIS-K5600-5-4
12. TERMINAL RESISTANCE: YU-YL = 240-770 OHMS XR-XL = 250-690 OHMS

Detail B
SCALE: NTS



PIN OUT
1 XR
2 YU
3 XL
4 YL

CAD DRAWING	DEC. TOLERANCES:
NOTICE	XXX = ±0.020 [.XX] = ±0.51 ANGULAR TOL. = ±1° FRAC. TOL. XX = ±16
<p>THIS DRAWING EMBODIES A PROPRIETARY DESIGN OR INVENTION OF GUNZE ELECTRONICS, INC. OR ITS AFFILIATES. NO PART OF THIS DRAWING IS TO BE REPRODUCED, COPIED, OR TRANSMITTED IN ANY FORM OR BY ANY MEANS, ELECTRONIC OR MECHANICAL, INCLUDING PHOTOCOPYING, RECORDING, OR BY ANY INFORMATION STORAGE AND RETRIEVAL SYSTEM, WITHOUT THE WRITTEN PERMISSION OF GUNZE ELECTRONICS, INC. ALL PATENT RIGHTS RELATING TO THIS DRAWING ARE RESERVED. GUNZE ELECTRONICS, INC. CORPORATION.</p> <p>This notice shall be marked on any reproduction hereof in whole or part.</p>	
CUSTOMER PART NO.	R484
DATE	11/16/16
DESIGNED BY	VTRINH
CHECKED BY	LHRUIZ
DATE	11/16/16
SCALE	2:1
CUSTOMER NO.	100-1131
DATE	11/16/16
DESIGNED BY	
CHECKED BY	
DATE	
SCALE	
CUSTOMER NO.	
DATE	



SENSOR, 8,4D 4-WIRE
100-1131
GUNZE USA