

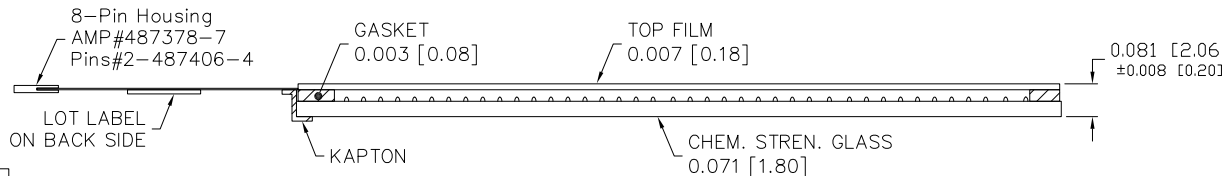
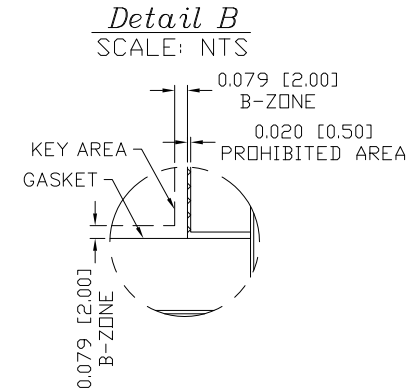
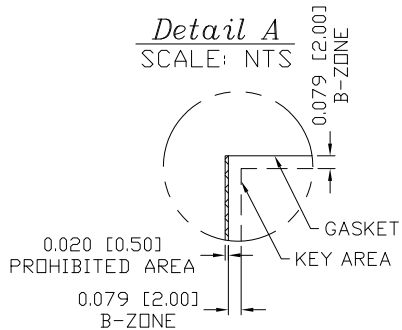
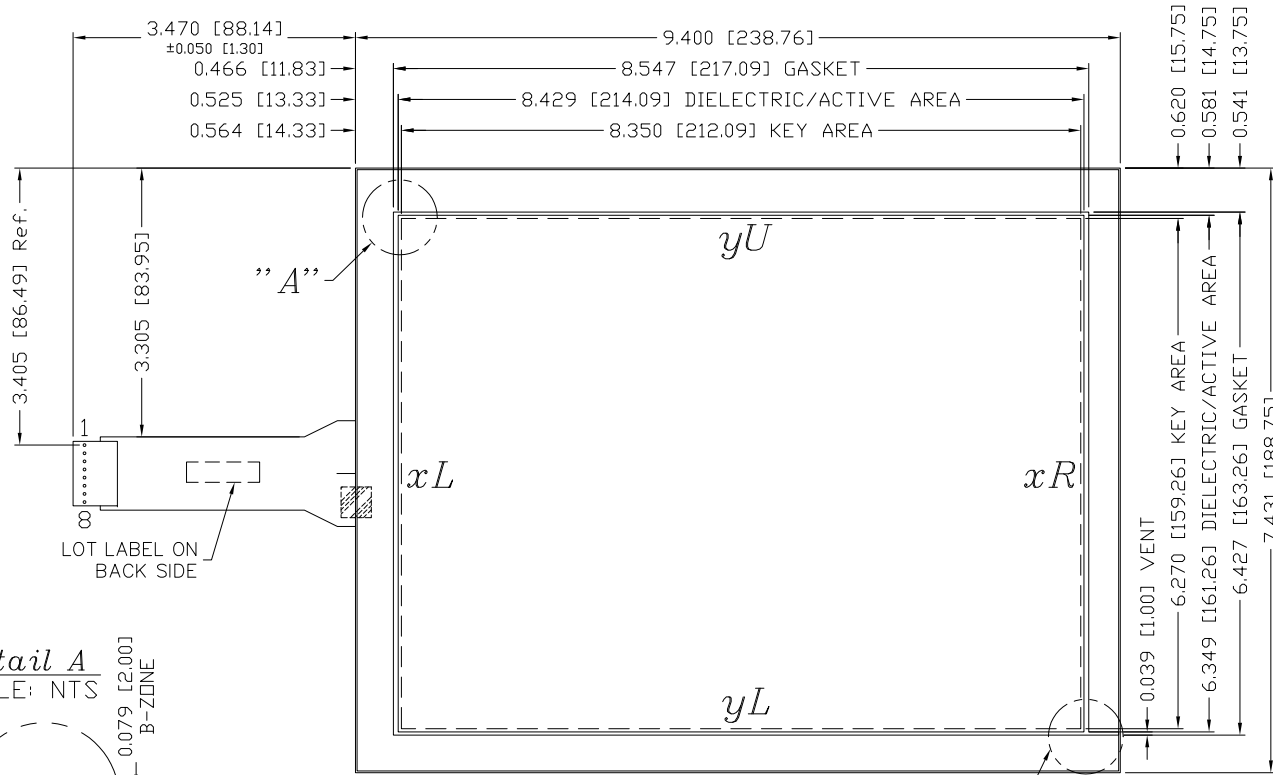
# SENSOR SPECIFICATION

LINEARITY	ACTUATION FORCE	OPTICAL PER.
±1.5% AVE 3% MAX. DEV.	0.10 N (10 g) Min., 0.80N (80 g) Max. STYLUS: R0.8 TIP, FINGER: R3.0 TIP	79% TRANSPARENCY PER JIS K7361-1

REVISIONS		
REV.	DESCRIPTION	DATE
0	ECO #271003	10/23/07
A	ADDED LOT LABEL	08/20/08
B	ECO #211114: TAIL DIELECTRIC INK CHANGE.	12/19/11
C		
D		
E		
F		
G		

### GENERAL NOTES:

1. TOP ELECTRODE OFFSET FROM GLASS PERIMETER 0.020 [0.50]
2. MAX. VOLTAGE & CURRENT: 5 VDC, LESS THEN 1mA AT CONTACT POINT FROM TOP LAYER TO BOTTOM LAYER.
3. OPERATION TEMPERATURE: -10°C TO 60°C
4. OPERATION HUMIDITY: < 40°C 20 - 95% RH NO DEW CONDENSATION ALLOWED
5. STORAGE TEMPERATURE: -20°C TO 70°C
6. BEND FLEXTAIL > 2.0mm NO SHARP CREASE
7. SURFACE HARDNESS: 3H AS PER JIS K 5400
8. COSMETIC INSPECTION: GUNZE GRADE 3X
9. TERMINAL RESISTANCE:  
YU-YL = 240-840Ω  
XR-XL = 250-750Ω



PIN OUT		
1	XR	RIGHT EXCITE
2	XR REF	RIGHT SENSE
3	XL REF	LEFT SENSE
4	XL	LEFT EXCITE
5	YU	TOP EXCITE
6	YU REF	TOP SENSE
7	YL REF	BOT. SENSE
8	YL	BOT. EXCITE

<p style="text-align: center;"><b>CAD DRAWING</b></p> <p style="text-align: center;"><b>NOTICE</b></p> <p style="font-size: small;">THIS DRAWING EMBODIES A PROPRIETARY DESIGN ORIGINATED BY GUNZE ELECTRONICS USA CORPORATION AND SHALL NOT BE DISCLOSED, USED, OR DUPLICATED FOR PROCUREMENT OR MANUFACTURING PURPOSES, UNLESS SPECIFICALLY AUTHORIZED BY GUNZE ELECTRONICS USA CORPORATION. ALL PATENT RIGHTS RELATING HERETO ARE EXPRESSLY RESERVED FOR GUNZE ELECTRONICS USA CORPORATION.</p> <p style="font-size: x-small;">This notice shall be marked on any reproduction hereof in whole or part.</p>	<p>DEC. TOLERANCES: .XXX = ±0.020 [.XX] = ±[0.51]</p> <p>ANGULAR TOL. = ±1° FRAC. TOL. XX = ±1/16</p> <p>DIM CODE: [ INCHES ] [ MILLIMETERS ]</p> <p>CUSTOMER PART#</p> <p>MATERIAL SPEC.</p>	<p>DESIGNER: <b>PLONG</b> 08/30/07</p> <p>CHKD.</p> <p>DESIGN ENG. <b>LHRUIZ</b> 08/30/07</p> <p>VIEW POINT:</p> <p>RLSE: <b>12/19/11</b></p>	<div style="text-align: center;"> <p><b>GUNZE USA</b></p> </div> <p style="font-size: x-small;">Gunze Electronics USA Corporation 2113 Wells Branch Parkway Austin, Texas 78728</p> <p>TITLE: <b>RES-10.4-PL8 SENSOR, 10.4D 8-WIRE</b></p> <p>PART NO. <b>100-0941</b></p> <p>CUSTOMER ID: <b>GUNZE USA</b></p> <p>SCALE: <b>1 : 1</b></p> <p>REVISION: <b>B</b></p>
--	---	---	--