

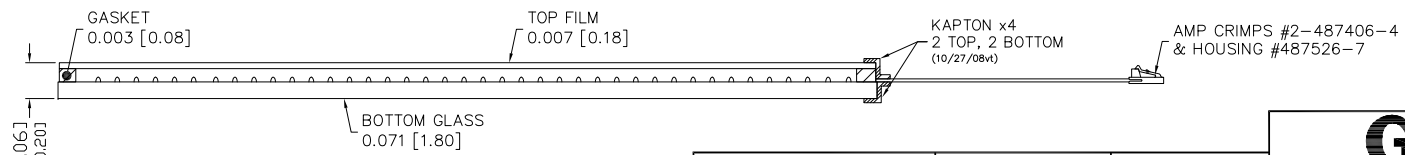
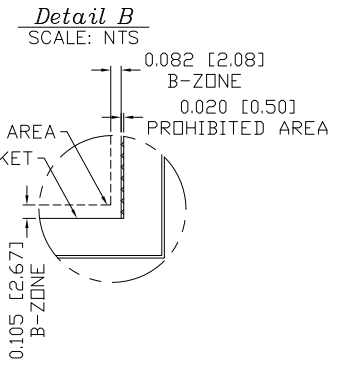
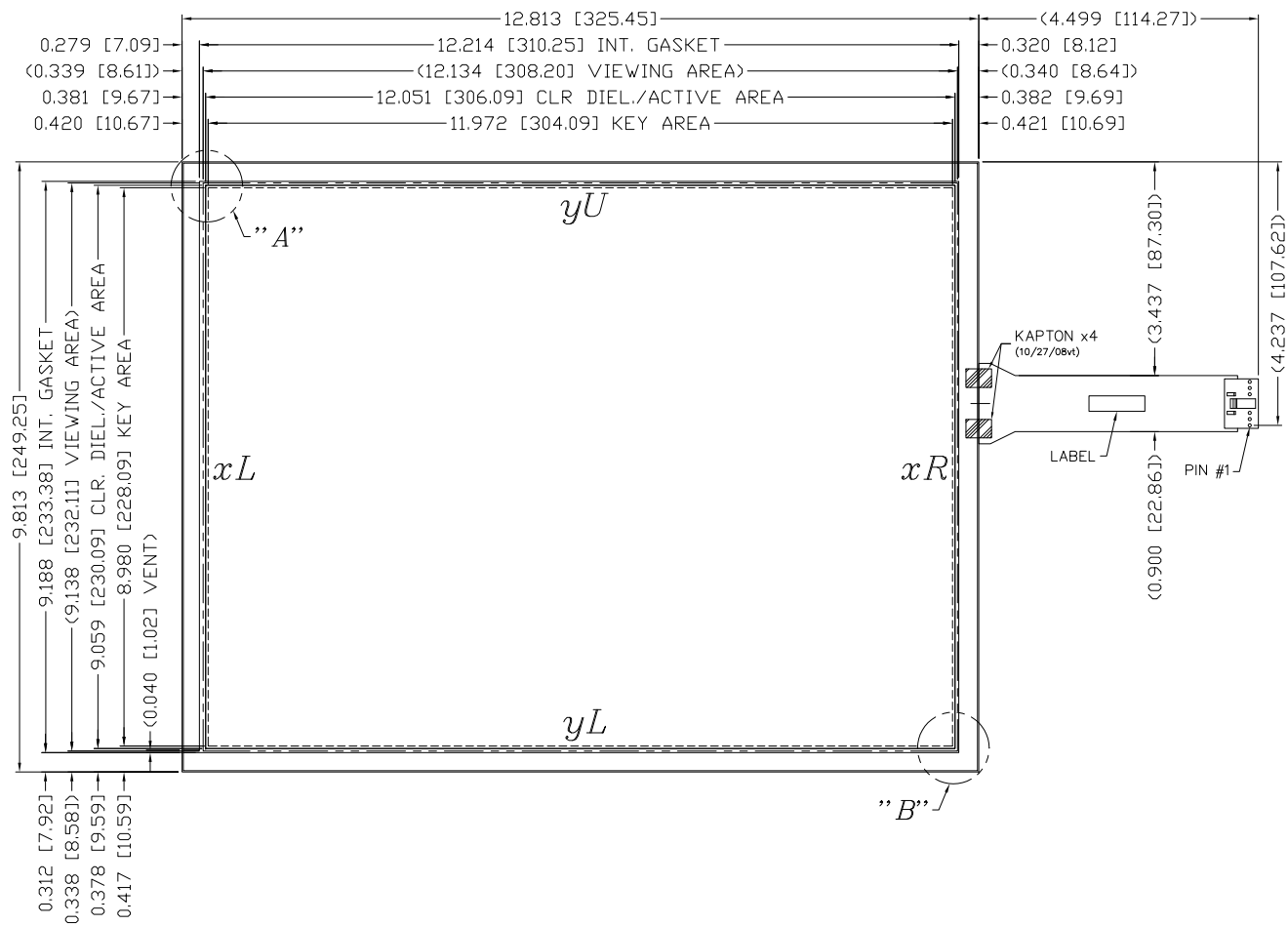
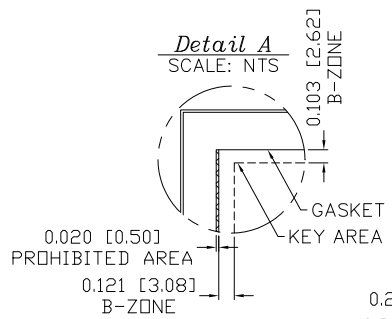
SENSOR SPECIFICATION

LINEARITY	ACTUATION FORCE	OPTICAL PER.
±1.5% AVE 3% MAX. DEV.	0.10 N (10 g) Min., 0.79 N (80 g) Max. STYLUS: R0.8 TIP, FINGER: R3.0 TIP	79% TRANSPARENCY PER JIS K7361-1

REVISIONS		
NO.	DESCRIPTION	DATE
0	INITIAL RELEASE	02/19/07
A	ECO #230560: CHANGE COSMETIC GRADE FROM 3x TO 5x.	05/15/13
B	ADD LABEL, UPDATE B-ZONE DETAILS.	02/04/16
C		
D		
E		
F		
G		

GENERAL NOTES:

1. TOP FILM OFFSET FROM BOTTOM GLASS 0.020 [0.50].
2. MAX. VOLTAGE & CURRENT: 5 VDC, LESS THEN 1mA AT CONTACT POINT FROM TOP LAYER TO BOTTOM LAYER.
3. OPERATION TEMPERATURE: -10° TO 60°C
4. OPERATION HUMIDITY: < 40°C 20% TO 95% RH NO CONDENSATION.
5. STORAGE TEMPERATURE: -20°C TO 70°C
6. FFC BEND R > 2.0MM NO SHARP CREASE
7. SURFACE HARDNESS: 3H AS PER JIS K 5400
8. TERMINAL RESISTANCE:
YU-YL = 240-990Ω
XR-XL = 250-850Ω
9. COSMETIC INSPECTION: GRADE 5x
10. INTERNAL GASKET (RIGHT SIDE) REDUCED 1.00mm TO FIT X GLASS DIMENSION.



PIN OUT		
1	YL	BOT. EXCITE
2	YL REF	BOT. SENSE
3	XR REF	RIGHT SENSE
4	XR	RIGHT EXCITE
5	YU	TOP EXCITE
6	YU REF	TOP SENSE
7	XL REF	LEFT SENSE
8	XL	LEFT EXCITE

CAD DRAWING	DEC. TOLERANCES:	DESIGNER.
NOTICE THIS DRAWING EMBODIES A PROPRIETARY DESIGN ORIGINATED BY GUNZE ELECTRONICS USA CORPORATION AND SHALL NOT BE DISCLOSED, USED, OR DUPLICATED FOR PROCUREMENT OR MANUFACTURING PURPOSES, UNLESS SPECIFICALLY AUTHORIZED BY GUNZE ELECTRONICS USA CORPORATION. ALL PATENT RIGHTS RELATING HERETO ARE EXPRESSLY RESERVED FOR GUNZE ELECTRONICS USA CORPORATION. This notice shall be marked on any reproduction hereof in whole or part.	.XXX = ±0.020 [.XX] = ±[0.51]	PLONG 01/26/07
	ANGULAR TOL. = ±1° FRAC. TOL. XX = ±1/16	CHKD.
	DIM CODE: INCHES [MILLIMETERS]	DESIGN ENG.
	CUSTOMER PART#	LHRUIZ 01/26/07
MATERIAL SPEC.	VIEW POINT:	RLSE: 05/15/13

Gunze Electronics USA Corporation
2113 Wells Branch Parkway
Austin, Texas 78728

TITLE: **SENSOR 15.0D, 8-WIRE**

PART NO. 100-0790	SCALE: 1:1
CUSTOMER ID: GUNZE USA	REVISION: B