

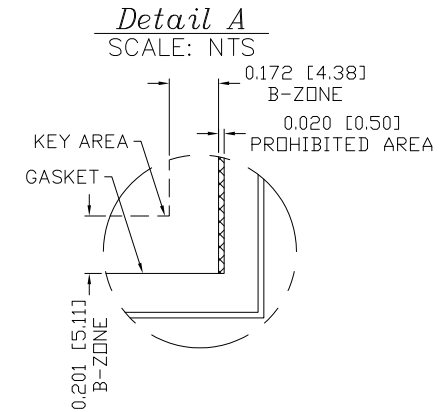
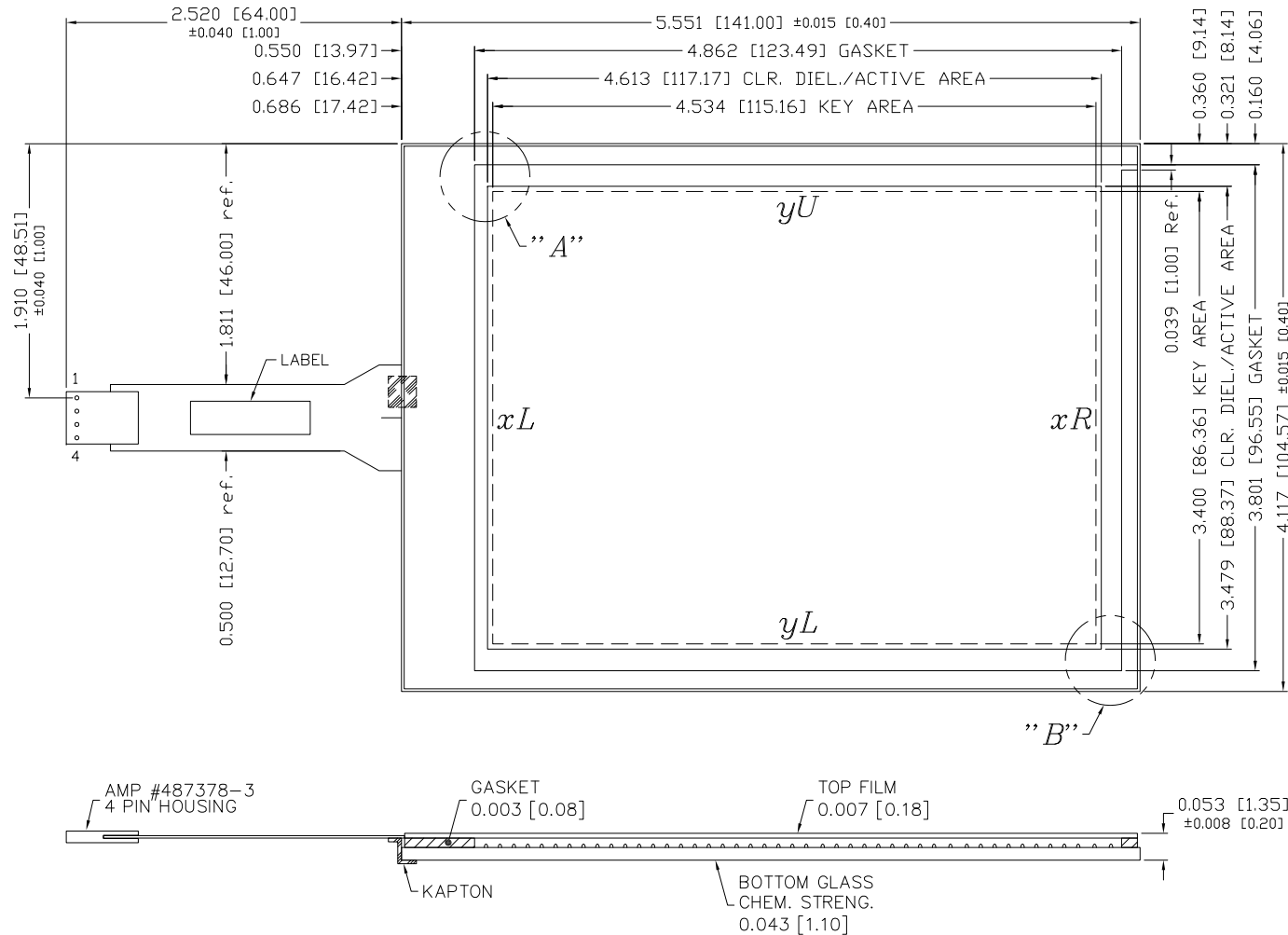
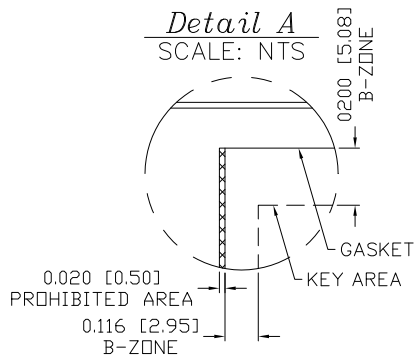
REVISIONS		
REV.	DESCRIPTION	DATE
0	INITIAL RELEASE	02/02/07
A	ECO #21114: TAIL DIELECTRIC INK CHANGE.	12/19/11
B	UPDATED B-ZONE DETAIL.	02/02/16
C		
D		
E		
F		
G		

SENSOR SPECIFICATION

LINEARITY	ACTUATION FORCE	OPTICAL PER.
±1.5% AVG. 3% MAX. DEV.	0.10 N (<10 g) Min., 0.79 N (<80 g) Max. STYLUS: R0.8 TIP OR FINGER	79% TRANSPARENCY PER JIS K7361-1

GENERAL NOTES:

- TOPSHEET 0.02 [0.50] FROM GLASS PERIMETER ALL AROUND.
- MAX. VOLTAGE & CURRENT: 5 VDC, LESS THEN 1mA AT CONTACT POINT FROM TOP LAYER TO BOTTOM LAYER.
- COSMETIC INSPECTION: GUNZE GRADE 3x
- OPERATION TEMPERATURE: -10°C TO 60°C
- HUMIDITY: < 40°C 20% to 95% RH NO CONDENSATION.
- STORAGE TEMPERATURE: -20°C TO 70°C
- FFC BEND R > 2.0MM NO SHARP CREASE
- SURFACE HARDNESS 3H PER JIS-K5600-5-4
- TERMINAL RESISTANCE
YU-YL = 250-770Ω
XR-XL = 240-660Ω



PIN OUT	
1	YU
2	YL
3	XL
4	XR

CAD DRAWING NOTICE

THIS DRAWING EMBODIES A PROPRIETARY DESIGN ORIGINATED BY GUNZE ELECTRONICS USA CORPORATION AND SHALL NOT BE DISCLOSED, USED, OR DUPLICATED FOR PROCUREMENT OR MANUFACTURING PURPOSES, UNLESS SPECIFICALLY AUTHORIZED BY GUNZE ELECTRONICS USA CORPORATION. ALL PATENT RIGHTS RELATING HERETO ARE EXPRESSLY RESERVED FOR GUNZE ELECTRONICS USA CORPORATION.

This notice shall be marked on any reproduction hereof in whole or part.

DEC. TOLERANCES:
.XXX = ±0.020
[.XX] = ±[0.51]

ANGULAR TOL. = ±1°
 FRAC. TOL. XX = ±1/16

DIM CODE: [] INCHES [] MILLIMETERS

CUSTOMER PART: **RES-5.7-PL4**

MATERIAL SPEC.

DESIGNER: **LHRUIZ** 02/02/07
 CHKD.

DESIGN ENG: **LHRUIZ** 02/02/07
 VIEW POINT:

R/SE: 02/02/16

Gunze Electronics USA Corporation
 2113 Wells Branch Parkway
 Austin, Texas 78728

TITLE: **SENSOR 5.7D, 4-WIRE**

PART NO.	100-0760	SCALE:	2 : 1
CUSTOMER ID:	GUNZE USA	REVISION:	B