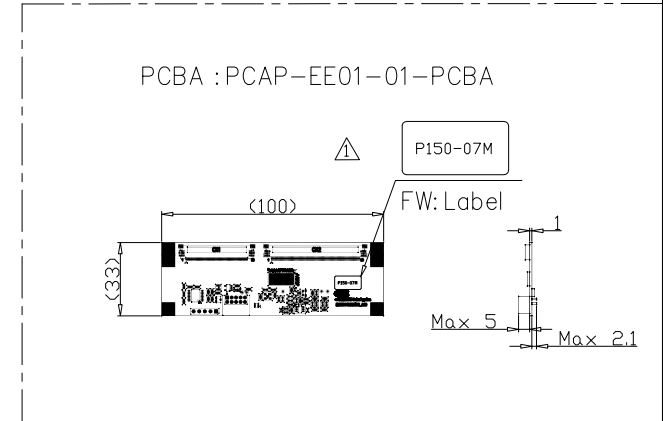
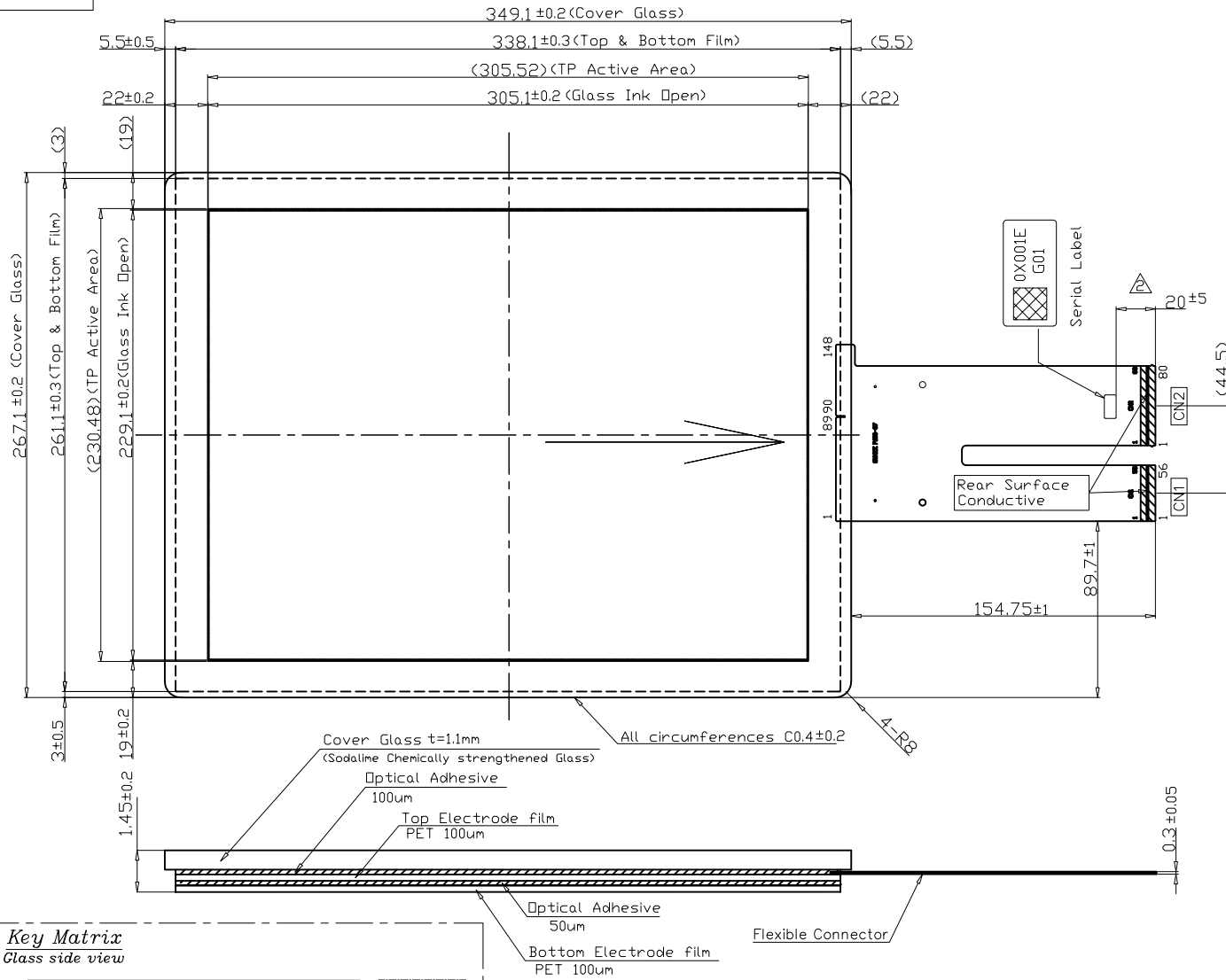


Draft

Glass side view

Glass Rear printing Pantone BlackC Insulation Ink Transparency: <0.1% @550nm



Pin Assignment

Rear Surface 0.55mm pitch

No.	1	2	...	44	45	46	...	88	89	90	91	...	147	148
Ch.	Shield TX2	TX43	...	TX1	Shield TX1	TX1	...	TX43	Shield TX2	Shield RX1	RX1	...	RX57	Shield RX2

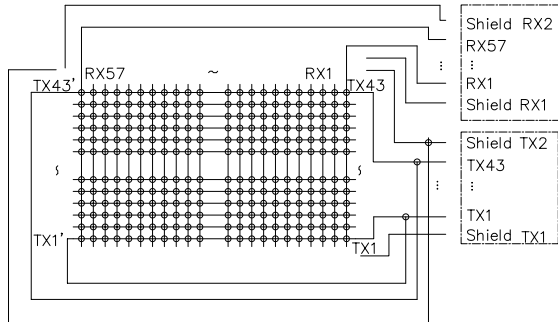
CNI Rear Surface 0.5mm pitch 50501-056 (ACES)

PIN	1	...	11	12	13	...	55	56
Ch.	NC	...	NC	Shield TX1	TX1	...	TX43	Shield TX2

CNA Rear Surface 0.5mm pitch 50520-080 (ACES)

PIN	1	...	14	15	16	...	72	73	74	...	80
Ch.	NC	...	NC	Shield RX1	RX1	...	RX57	Shield RX2	NC	...	NC

Key Matrix
Glass side view



ISSUE	DATE	REVISIONS
03	04/20	Label Position Change
02	01/05	Add PCBA Label

3 RD ANGLE PROJECTION

(?) Only internal use for the control code

CHECKED:
 CHECKED: wf.Zeng
 DRAWN: Wang Feng
 DESIGNED: Wang Feng

GUNZE LIMITED
ELECTRONIC Components Division

DATE: 2017.04.20
 TITLE: TOUCH PANEL
 MODEL: P150-07M-1D
 CONTROL CODE: V3
 PART: T/P DRAWING
 SCALE: 1/3
 DRAWING No. P150-07MF1D-V3-03