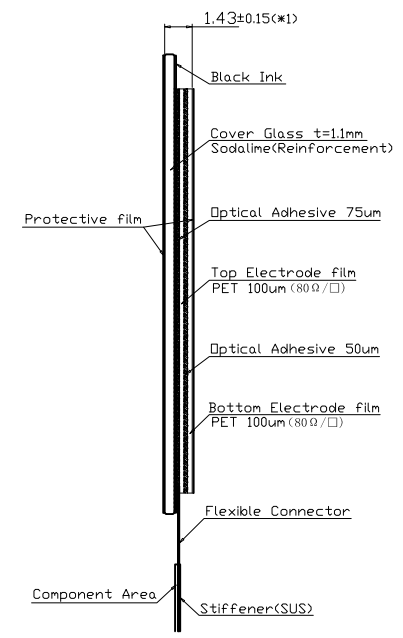
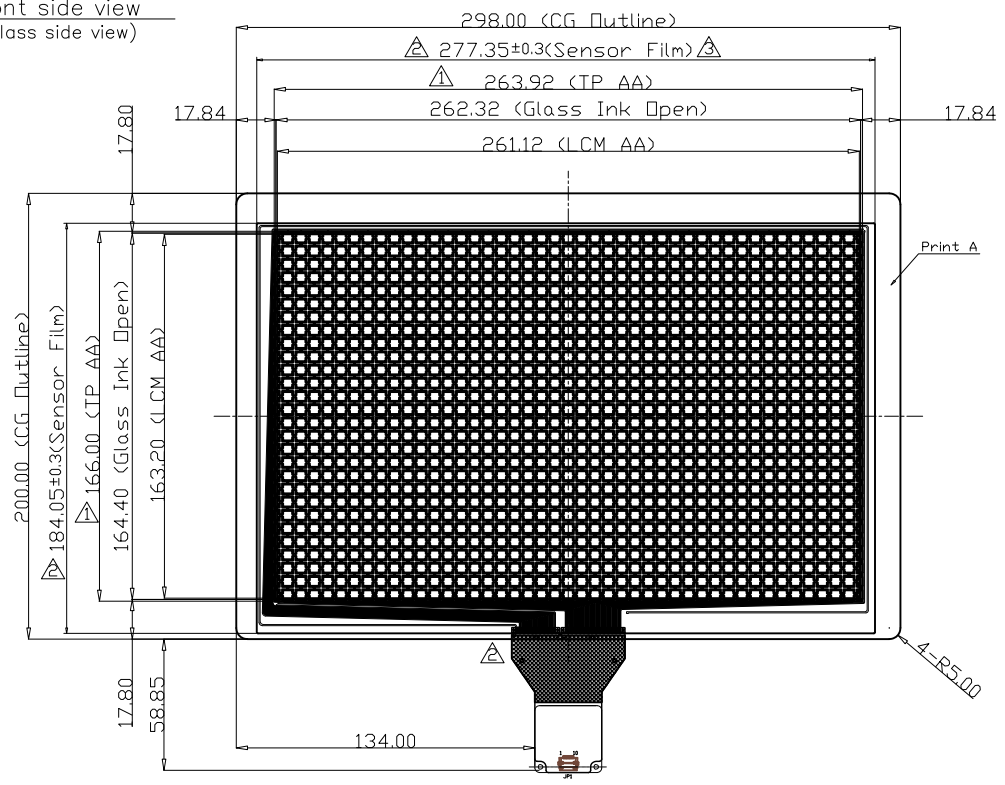


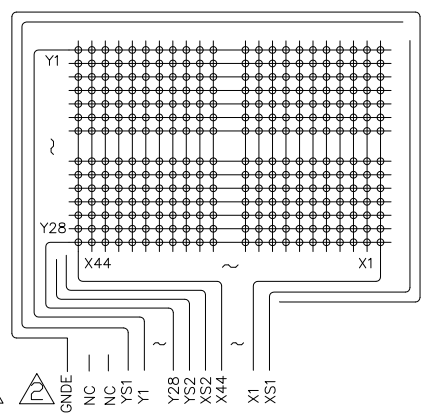
REVISIONS		
REV.	DESCRIPTION	DATE
△	Added GNDRing TP AA Changed	12/17/18
△	CN1-Pin Changed Sensor DD Changed	12/20/18
△	Sensor DD Changed	12/29/18
0	INITIAL RELEASE	02/01/19

Front side view  
(Glass side view)

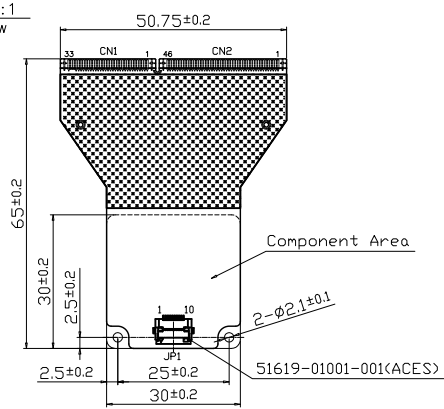


- GENERAL NOTES:
1. CONSTRUCTION:  
GLASS/FILM/FILM
  2. OPERATION TEMP:  
-10° TO 70°C
  3. HUMIDITY:  
< 40°C 20%-95%  
RH NO CONDENSATION.
  4. STORAGE TEMP:  
-20°C TO 70°C
  5. FFC BEND R > 2.0MM  
NO SHARP CREASE

Key Matrix  
Glass side view



COF-SCALE 2:1  
Front side view



CN1-Pin Assignment

No.	33	32	31	30	29	...	2	1
EETI BGA								
P121-01	GNDE	NC	NC	YS1	Y1	...	Y28	YS2

CN2-Pin Assignment

No.	46	45	...	2	1
EETI BGA					
HONA-02	XS2	X44	...	X1	XS1

JP1-Pin Assignment

No.	1	2	3	4	5	6	7	8	9	10
ID	GNDE	XGND	VDD	SDA	SCL	INT	RST	D+	D-	GNDE

(\*1) The cross-section drawing is not correct scale.

CAD DRAWING <b>NOTICE</b>	DEC. TOLERANCES: .XXX = ±0.012 [.XX] = ±[0.30]	DESIGNER: VTRINH 02/01/19	GUNZE USA Gunze Electronics USA Corporation 2113 Wells Branch Parkway Austin, Texas 78728
	DIM CODE: MILLIMETER [INCH]	CHKD.	
THIS DRAWING EMBODIES A PROPRIETARY DESIGN ORIGINATED BY GUNZE ELECTRONICS USA CORPORATION AND SHALL NOT BE DISCLOSED, USED, OR DUPLICATED FOR PROCUREMENT OR MANUFACTURING PURPOSES UNLESS SPECIFICALLY AUTHORIZED BY GUNZE ELECTRONICS USA CORPORATION. ALL PATENT RIGHTS RELATING HERETO ARE EXPRESSLY RESERVED FOR GUNZE ELECTRONICS USA CORPORATION. This notice shall be marked on any reproduction hereof in whole or part.	ANGULAR TOL. = ±1° FRAC. TOL. XXX = ±1/16	DESIGN ENG. LHRUIZ 02/01/19	TITLE: <b>12.1D, 28x44; P-CAP,EETI</b>
	CUSTOMER P121-01-1D	VIEW POINT:	PART NO. <b>170-4780</b>
MATERIAL SPEC. P-Cap Internal	RLSE: 02/01/19	CUSTOMER ID: <b>GUNZE USA</b>	SCALE: <b>1:1</b>
			REVISION <b>0</b>