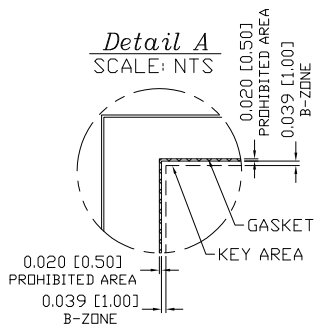


# SENSOR SPECIFICATION

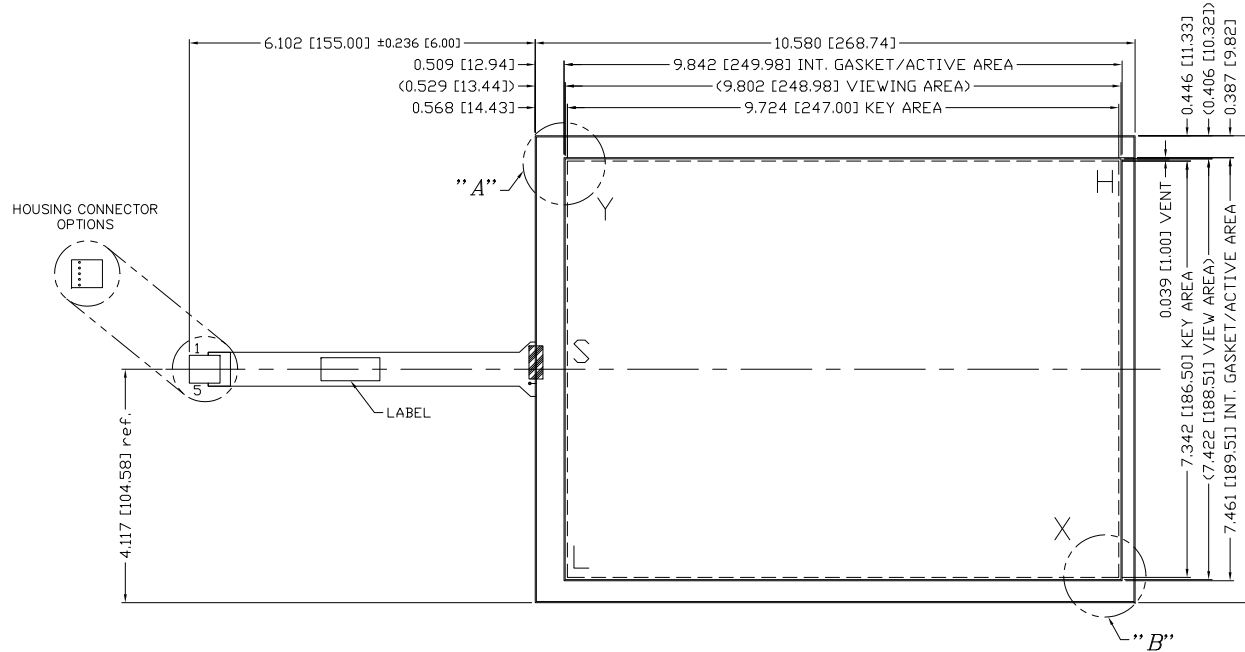
LINEARITY	ACTUATION FORCE	OPTICAL PER.
1.5% AVG 3% MAX. DEV.	0.1 N (10g) Min., 0.79 N (80g) Max. STYLUS: R0.8 TIP, FINGER: R3.0 TIP	78% TRANSPARENCY PER JIS K7361

REVISIONS		
REV.	DESCRIPTION	DATE
0	INITIAL RELEASE	04/17/14
A		
B		
C		
D		
E		
F		
G		

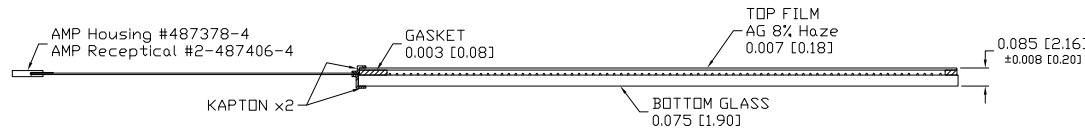
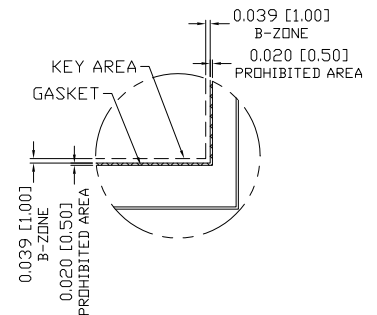


## GENERAL NOTES:

- TOPSHEET OFFSET 0.020 [0.50] FROM BOTTOM GLASS.
- MAX. VOLTAGE & CURRENT: 5 VDC, LESS THEN 1mA AT CONTACT POINT FROM TOP LAYER TO BOTTOM LAYER.
- OPERATION TEMPERATURE: -10°C TO 60°C
- HUMIDITY: < 40°C 20% to 95% RH NO CONDENSATION.
- STORAGE TEMPERATURE: -20°C TO 70°C
- FFC BEND R > 2.0MM NO SHARP CREASES
- SURFACE HARDNESS: 3H OR MORE (As per JIS K 5400.)
- COSMETIC INSPECTION: GRADE 5x



## Detail B



PINOUT	
1	H
2	X
3	S
4	Y
5	L

CAD DRAWING NOTICE		DEC. TOLERANCES: .XXX = ±0.020 [.XX] = ±[0.51]		DESIGNER: VTRINH 04/17/14 CHKD.	
THIS DRAWING EMBODIES A PROPRIETARY DESIGN ORIGINATED BY GUNZE ELECTRONICS USA CORPORATION AND SHALL NOT BE DISCLOSED, USED, OR DUPLICATED FOR PROCUREMENT OR MANUFACTURING PURPOSES, UNLESS SPECIFICALLY AUTHORIZED BY GUNZE ELECTRONICS USA CORPORATION. ALL PATENT RIGHTS RELATING HERETO ARE EXPRESSLY RESERVED FOR GUNZE ELECTRONICS USA CORPORATION. <b>This notice shall be marked on any reproduction hereof in whole or part.</b>		ANGULAR TOL. = ±1° FRAC. TOL. XX = ±1/16		DESIGN ENG. LHRUIZ 04/17/14 VIEW POINT:	
		DIM CODE: [INCHES] [MILLIMETERS]		CUSTOMER P/N: 160-R1142	
MATERIAL SPEC.		R/LS:		08/05/14	
GUNZE USA Gunze Electronics USA Corporation 2113 Wells Branch Parkway Austin, Texas 78728			TITLE: <b>SENSOR, 12.1D 5-WIRE</b>		
PART NO. 160-2884		SCALE: 1:1		REVISION: 0	
CUSTOMER ID: GUNZE USA					