

SENSOR SPECIFICATION

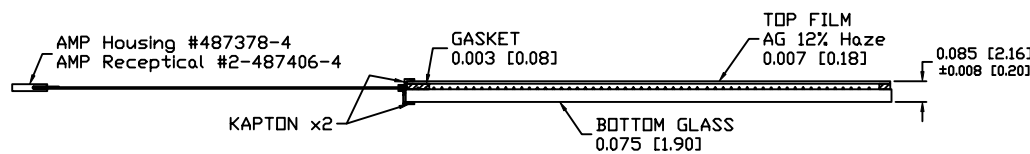
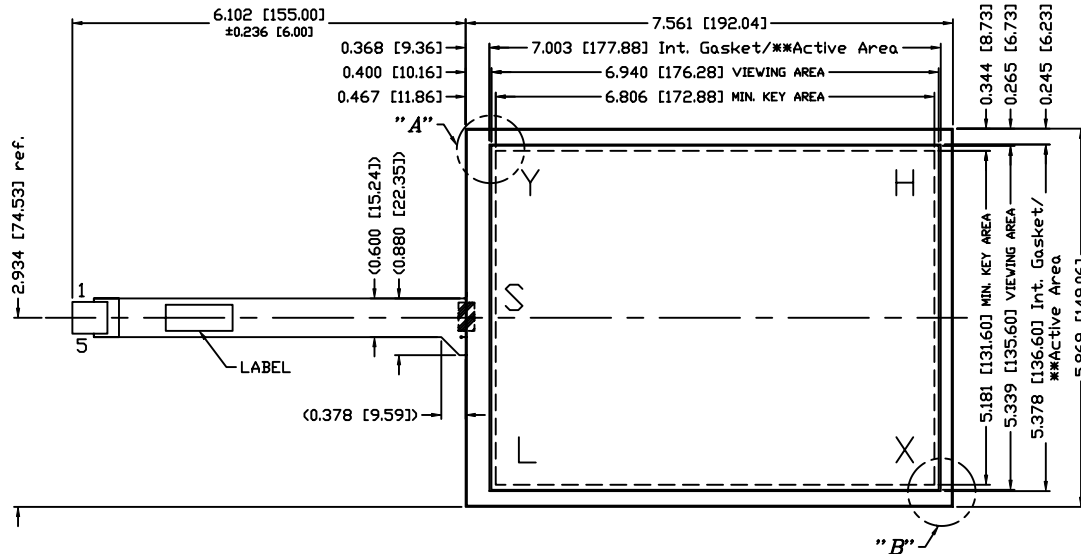
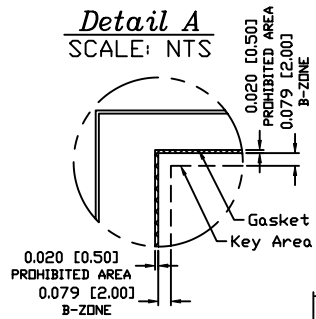
LINEARITY	ACTUATION FORCE	OPTICAL PER.
1.5% AVG 3% MAX. DEV.	0.1 N (10g) Min., 0.79 N (80g) Max. STYLUS: R0.8 TIP, FINGER: R3.0 TIP	78% TRANSPARENCY PER JIS K7361

REVISIONS		
REV.	DESCRIPTION	DATE
0	INITIAL RELEASE	05/11/10
A		
B		
C		
D		
E		
F		
G		

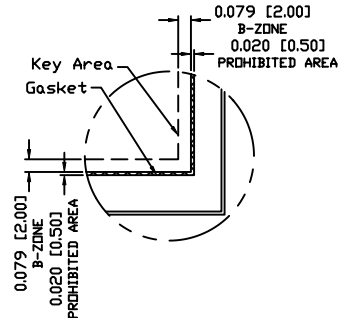
GENERAL NOTES:

1. TOPSHEET OFFSET 0.020 [0.50] FROM BOTTOM GLASS.
2. MAX. VOLTAGE & CURRENT: 5 VDC, LESS THEN 1mA AT CONTACT POINT FROM TOP LAYER TO BOTTOM LAYER.
3. OPERATION TEMPERATURE: -10°C TO 60°C
4. HUMIDITY: < 40°C 20% to 95% RH NO CONDENSATION.
5. STORAGE TEMPERATURE: -20°C TO 70°C
6. FFC BEND R > 2.0MM NO SHARP CREASES
7. SURFACE HARDNESS: 3H OR MORE (As per JIS K 5400.)
8. COSMETIC INSPECTION: GRADE 3x
9. **NOTE: TOUCH PANEL IS ACTIVE UP TO THE INTERNAL GASKET AREA.

Detail A
SCALE: NTS



Detail B
SCALE: NTS



PINOUT	
1	H
2	X
3	S
4	Y
5	L

CAD DRAWING NOTICE

THIS DRAWING EMBODIES A PROPRIETARY DESIGN ORIGINATED BY GUNZE ELECTRONICS USA CORPORATION AND SHALL NOT BE DISCLOSED, USED, OR DUPLICATED FOR PROCUREMENT OR MANUFACTURING PURPOSES, UNLESS SPECIFICALLY AUTHORIZED BY GUNZE ELECTRONICS USA CORPORATION. ALL PATENT RIGHTS RELATING HERETO ARE EXPRESSLY RESERVED FOR GUNZE ELECTRONICS USA CORPORATION.

This notice shall be marked on any reproduction hereof in whole or part.

DEC. TOLERANCES:
 .XXX = ±0.020
 [.XX] = ±[0.51]

ANGULAR TOL. = ±1°
 FRAC. TOL. X/X = ±1/16

DIM CODE: INCHES
 [MILLIMETERS]

CUSTOMER P#: _____

MATERIAL SPEC. _____

DESIGNER: **VTRINH** 05/11/10
 CHKD. _____

DESIGN ENG. **LHRUIZ** 05/11/10
 VIEW POINT: _____

RLSE: **05/11/10**

Gunze Electronics USA Corporation
 2113 Wells Branch Parkway
 Austin, Texas 78728

TITLE: **SENSOR, 8.4D 5-WIRE**

PART NO. 160-2480	SCALE: 1:1
CUSTOMER ID: GUNZE USA	REVISION: 0