

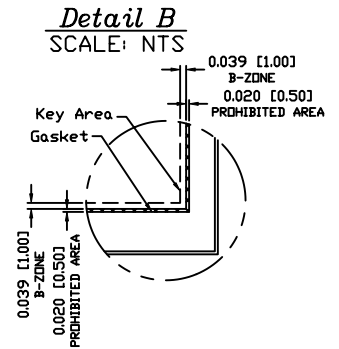
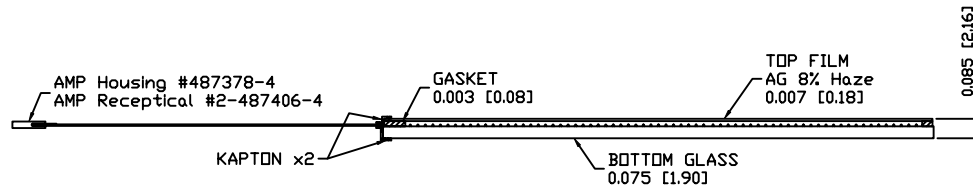
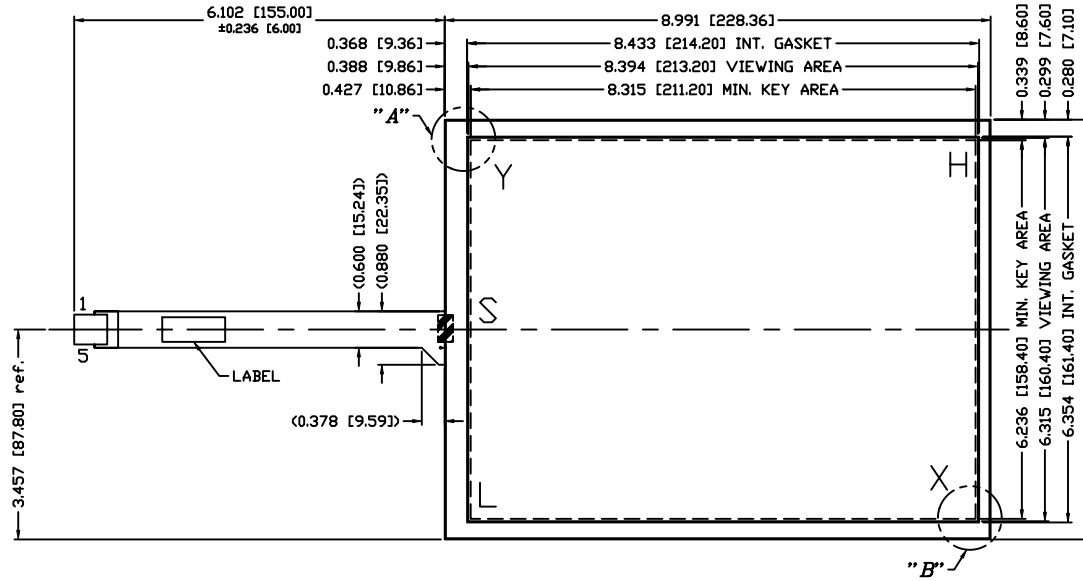
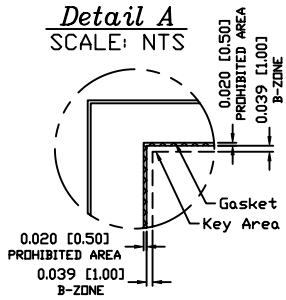
SENSOR SPECIFICATION

LINEARITY	ACTUATION FORCE	OPTICAL PER.
1.5% AVG 3% MAX. DEV.	0.1 N (10g) Min., 0.79 N (80g) Max. STYLUS: R0.8 TIP, FINGER: R3.0 TIP	78% TRANSPARENCY PER JIS K7361

REVISIONS		
REV.	DESCRIPTION	DATE
0	ECD #211003	10/07/11
A		
B		
C		
D		
E		
F		
G		

GENERAL NOTES:

1. TOPSHEET OFFSET 0.020 [0.50] FROM BOTTOM GLASS.
2. MAX. VOLTAGE & CURRENT: 5 VDC, LESS THEN 1mA AT CONTACT POINT FROM TOP LAYER TO BOTTOM LAYER.
3. OPERATION TEMPERATURE: -10°C TO 60°C
4. HUMIDITY: < 40°C 20% to 95% RH NO CONDENSATION.
5. STORAGE TEMPERATURE: -20°C TO 70°C
6. FFC BEND R > 2.0MM NO SHARP CREASES
7. SURFACE HARDNESS: 3H DR MORE (As per JIS K 5400.)
8. COSMETIC INSPECTION: GRADE 3x



PINOUT	
1	H
2	X
3	S
4	Y
5	L

CAD DRAWING NOTICE	DEC. TOLERANCES: .XXX = ±0.020 [.XX] = ±[0.51] ANGULAR TOL = ±1° FRAC. TOL. XX = ±1/16	DESIGNER: VTRINH 05/11/10 CHKD.	 Gunze Electronics USA Corporation 2113 Wells Branch Parkway Austin, Texas 78728 TITLE: SENSOR, 10.4D 5-WIRE
THIS DRAWING EMBODIES A PROPRIETARY DESIGN ORIGINATED BY GUNZE ELECTRONICS USA CORPORATION AND SHALL NOT BE DISCLOSED, USED, OR DUPLICATED FOR PROCUREMENT OR MANUFACTURING PURPOSES, UNLESS SPECIFICALLY AUTHORIZED BY GUNZE ELECTRONICS USA CORPORATION. ALL PATENT RIGHTS RELATING HERETO ARE EXPRESSLY RESERVED FOR GUNZE ELECTRONICS USA CORPORATION. This notice shall be marked on any reproduction hereof in whole or part.	DIM CODE: INCHES [MILLIMETERS]	DESIGN ENG. LHRUIZ 05/11/10	PART NO. 160-0642
	CUSTOMER PR: V104-01	VIEW POINT: 	SCALE: 1 : 1
	MATERIAL SPEC.	RLSE: 10/13/11	CUSTOMER ID: GUNZE USA
			REVISION: 0