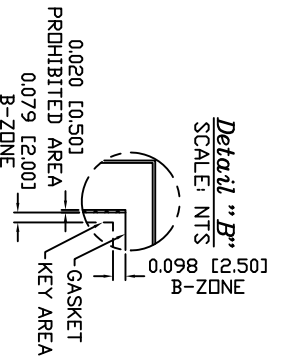


# SENSOR SPECIFICATION

**Detail "B"**  
SCALE: NTS



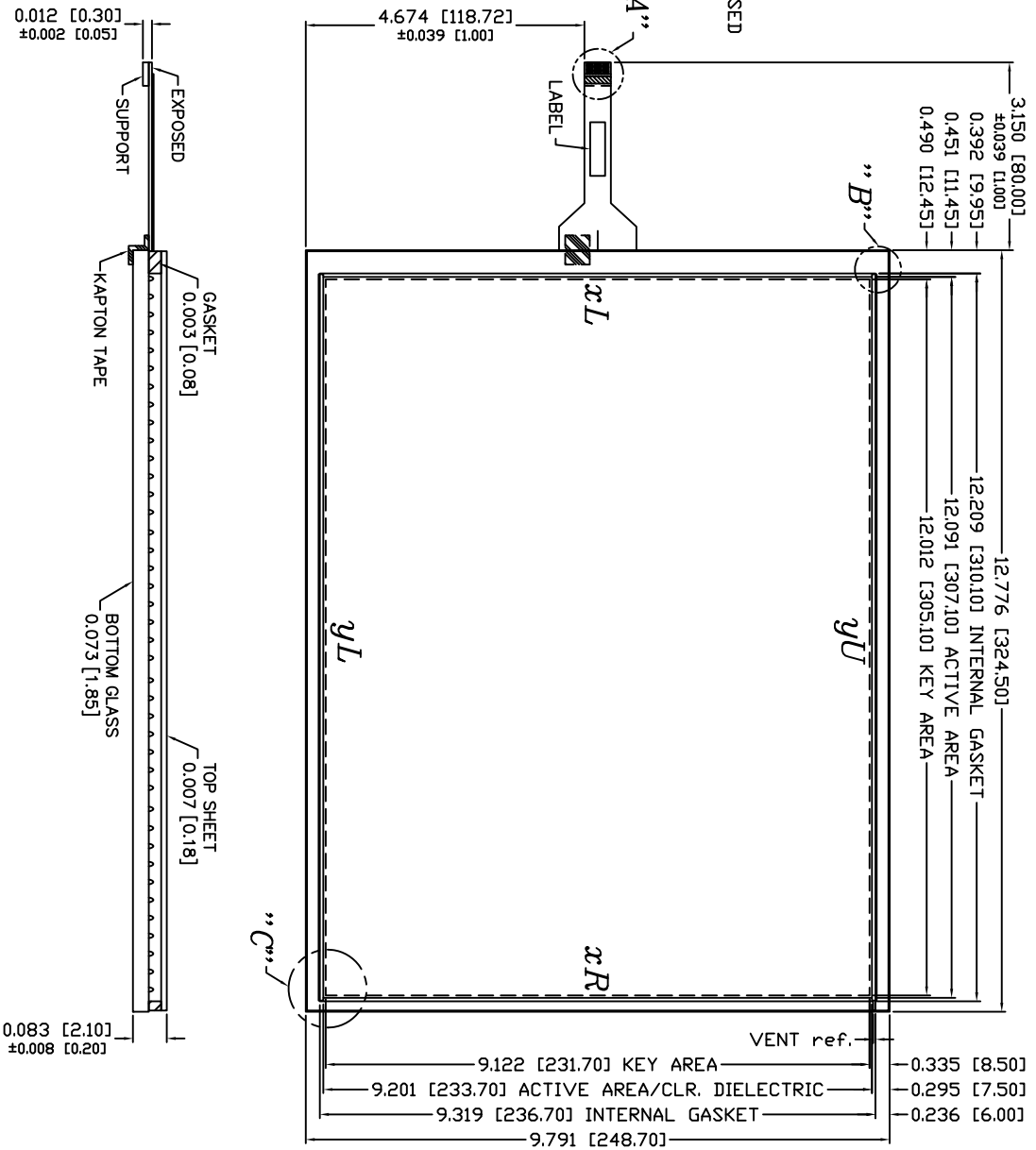
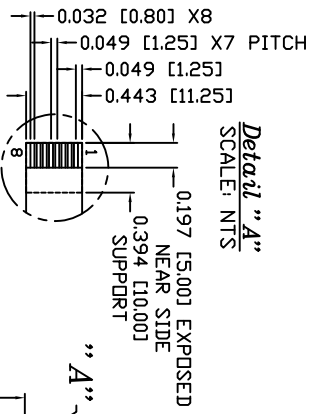
LINEARITY	ACTUATION FORCE	OPTICAL PER.
±1.5% AVG 3% MAX. DEV.	0.10 N (10 g) Min., 0.79 N (80 g) Max. STYLUS: R08 TIP DR FINGER	79% TRANSPARENCY PER JIS K7361-1

REV.	DESCRIPTION	DATE
0	ECO #280416 MAOOLA CONVERSION	05/13/08
A	ECO #230508 CHANGE COSMETIC GRADE FROM 3 TO 5	05/20/13
B	UPDATE DRAWING TO CURRENT STANDARD	01/07/16
C	ECO #280708 CHANGE GLASS 18P413242 TO 18P453243	01/07/16
D		
E		
F		
G		

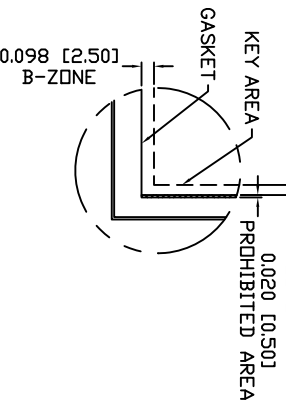
### GENERAL NOTES:

- TOPSHEET 0.02 FROM GLASS PERIMETER ALL AROUND.
- MAX VOLTAGE & CURRENT:  
5 VDC, LESS THEN 1mA AT CONTACT POINT FROM TOP LAYER TO BOTTOM LAYER.
- OPERATION TEMPERATURE:  
0°C TO 50°C
- OPERATION HUMIDITY:  
< 40°C 20% TO 95% RH NO CONDENSATION.
- STORAGE TEMPERATURE:  
-10°C TO 60°C
- FCC BEND R > 2.0MM  
NO SHARP CREASE
- SURFACE HARDNESS:  
3H AS PER JIS K 5400
- COSMETIC INSPECTION:  
GRADE 5X
- TERMINAL RESISTANCE:  
3XL-4XR = 250-680 Ω (Top)  
5YU-8YL = 250-770 Ω (Bottom)

**Detail "A"**  
SCALE: NTS



**Detail "C"**  
SCALE: NTS



PIN OUT
1 XR REF.
2 XL REF.
3 XL
4 XR
5 YU
6 YU REF.
7 YL REF.
8 YL

### CAD DRAWING NOTICE

DEC. TOLERANCES:  
XXX = ±0.020  
[.XXX] = ±[0.50]  
ANGULAR TOL. = ±1°  
FRAC. TOL. XX = ±1/16

DESIGNER: KILLIARD  
DATE: 07/27/16  
DESIGN ENG: LHRUIZ  
VIEW POINT: 07/27/16

DESIGNER: Gunze Electronics USA Corporation  
2113 Wells Branch Parkway  
Austin, Texas 78728

PART NO.: 100-2030  
SCALE: 1:1  
CUSTOMER ID: GUNZE USA  
REVISION: C



SENSOR, 15.0D 8-WIRE

SCALE: 1:1

REVISION: C

REVISION: C