

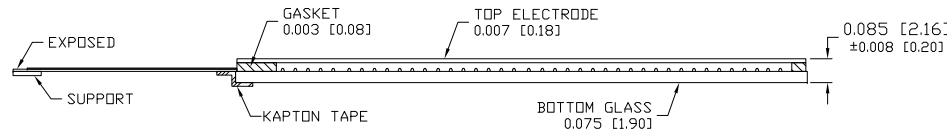
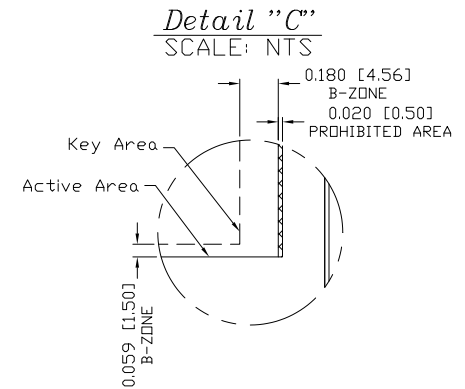
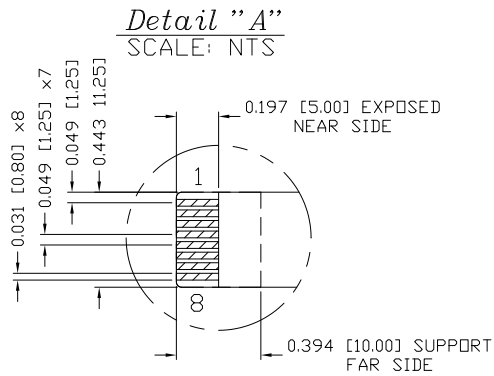
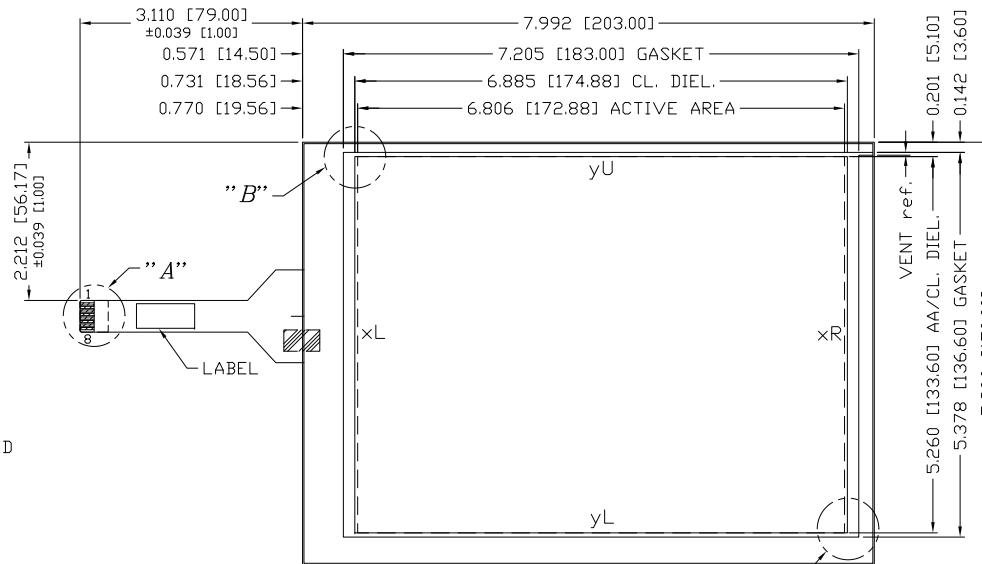
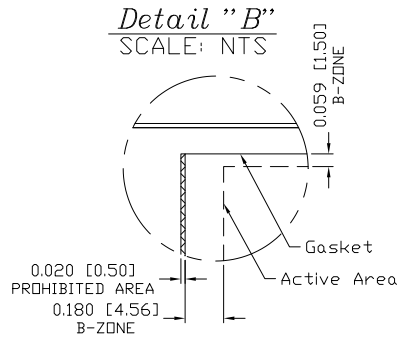
SENSOR SPECIFICATION

| LINEARITY | ACTUATION FORCE | OPTICAL PER. |
|---------------------------|--|-------------------------------------|
| ±1.5% AVG 3% MAX. DEV. | 0.10 N (10 g) Min., 0.79 N (80 g) Max. STYLUS: R0.8 TIP, FINGER: R3.0 TIP | 79% TRANSPARENCY PER JIS K7361-1 |

| REVISIONS | | |
|-----------|-------------|----------|
| REV. | DESCRIPTION | DATE |
| 0 | ECD #200509 | 01/12/11 |
| A | | |
| B | | |
| C | | |
| D | | |
| E | | |
| F | | |

GENERAL NOTES:

1. TOP FILM OFFSET FROM BOTTOM GLASS 0.020 [0.50].
2. MAX. VOLTAGE & CURRENT: 5 VDC, LESS THEN 1mA AT CONTACT POINT FROM TOP LAYER TO BOTTOM LAYER.
3. OPERATION TEMPERATURE: -10° TO 60°C
4. HUMIDITY: < 40°C 20% TO 95% RH NO CONDENSATION.
5. STORAGE TEMPERATURE: -20°C TO 70°C
6. FFC BEND R > 2.0MM NO SHARP CREASE
7. SURFACE HARDNESS: 3H AS PER JIS K 5400
8. COSMETIC INSPECTION: GRADE 3x
9. TERMINAL RESISTANCE: 5YU-8YL = 240-710Ω
3XL-4XR = 250-630Ω



PINOUT

| | |
|---|---------|
| 1 | XR REF. |
| 2 | XL REF. |
| 3 | XL |
| 4 | XR |
| 5 | YU |
| 6 | YU REF. |
| 7 | YL REF. |
| 8 | YL |

| CAD DRAWING NOTICE | DEC. TOLERANCES: .XXX = ±0.020 [.XX] = ±[0.51] | DESIGNER: RPESINA 05/27/08 CHKD. | GUNZE USA |
|---|--|--|---|
| THIS DRAWING EMBODIES A PROPRIETARY DESIGN ORIGINATED BY GUNZE ELECTRONICS USA CORPORATION AND SHALL NOT BE DISCLOSED, USED, OR DUPLICATED FOR PROCUREMENT OR MANUFACTURING PURPOSES, UNLESS SPECIFICALLY AUTHORIZED BY GUNZE ELECTRONICS USA CORPORATION. ALL PATENT RIGHTS RELATING HERETO ARE EXPRESSLY RESERVED FOR GUNZE ELECTRONICS USA CORPORATION. This notice shall be marked on any reproduction hereof in whole or part. | ANGULAR TOL. = ±1° FRAC. TOL. X/X = ±1/16 | DESIGN ENG. LHRUIZ 05/27/08 | Gunze Electronics USA Corporation 2113 Wells Branch Parkway Austin, Texas 78728 |
| | DIM CODE: [INCHES] [MILLIMETERS] | CUSTOMER PART #: | TITLE: G28-01 SENSOR, 8.6D 8-WIRE |
| MATERIAL SPEC. | VIEW POINT: | REVISION: 01/12/11 | SCALE: 1:1 |
| | | | CUSTOMER ID: GUNZE USA |
| | | | REVISION: 0 |