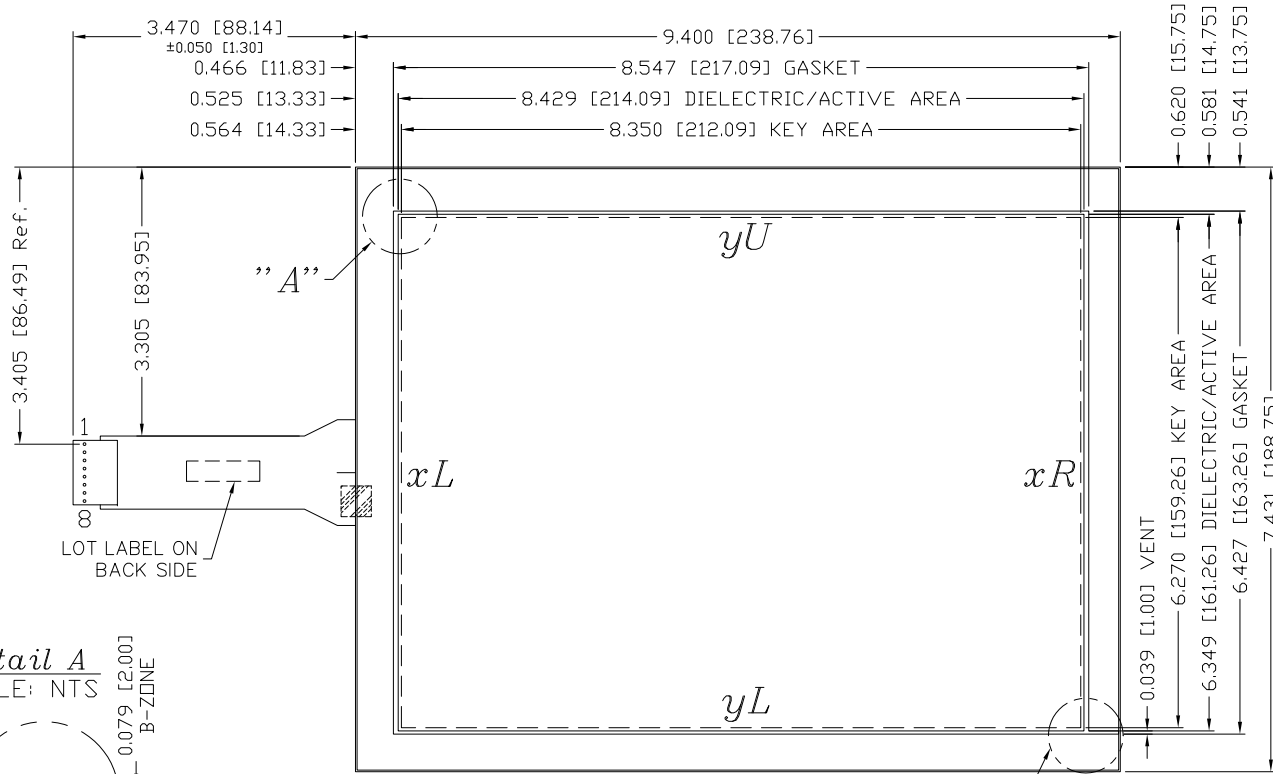


SENSOR SPECIFICATION

LINEARITY	ACTUATION FORCE	OPTICAL PER.
±1.5% AVG. 3% MAX. DEV.	0.10 N (10 g) Min., 0.80N (80 g) Max. STYLUS: R0.8 TIP, FINGER: R3.0 TIP	79% TRANSPARENCY PER JIS K7361-1

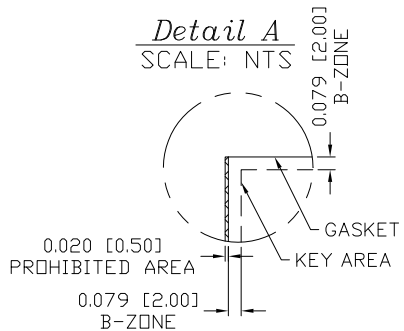
REVISIONS		
REVISION	DESCRIPTION	DATE
0941 Rev.B	ECO #211114: TAIL DIELECTRIC INK CHANGE	12/19/11
0944 Rev.0	ECO #271101: GLASS CHANGE	11/06/17



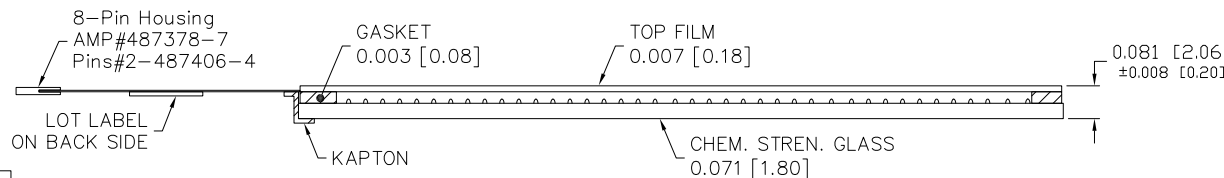
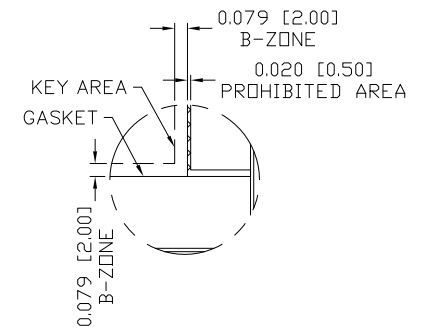
GENERAL NOTES:

1. TOP ELECTRODE OFFSET FROM GLASS PERIMETER 0.020 [0.50]
2. MAX. VOLTAGE & CURRENT: 5 VDC, LESS THEN 1mA AT CONTACT POINT FROM TOP LAYER TO BOTTOM LAYER.
3. OPERATION TEMPERATURE: -10°C TO 60°C
4. OPERATION HUMIDITY: < 40% 20 - 95% RH NO DEW CONDENSATION ALLOWED
5. STORAGE TEMPERATURE: -20°C TO 70°C
6. BEND FLEXTAIL > 2.0mm NO SHARP CREASE
7. SURFACE HARDNESS: 3H AS PER JIS K 5400
8. COSMETIC INSPECTION: GUNZE GRADE 3X
9. TERMINAL RESISTANCE:
YU-YL = 240-840Ω
XR-XL = 250-750Ω

Detail A SCALE: NTS



Detail B SCALE: NTS



PIN OUT		
1	XR	RIGHT EXCITE
2	XR REF	RIGHT SENSE
3	XL REF	LEFT SENSE
4	XL	LEFT EXCITE
5	YU	TOP EXCITE
6	YU REF	TOP SENSE
7	YL REF	BOT. SENSE
8	YL	BOT. EXCITE

CAD DRAWING	DEC. TOLERANCES: .XXX = ±0.020 [.XX] = ±[0.51]	DESIGNER: PLONG 08/30/07	
NOTICE	ANGULAR TOL. = ±1° FRAC. TOL. XX = ±1/16	DESIGN ENG. LHRUIZ 08/30/07	
THIS DRAWING EMBODIES A PROPRIETARY DESIGN ORIGINATED BY GUNZE ELECTRONICS USA CORPORATION AND SHALL NOT BE DISCLOSED, USED, OR DUPLICATED FOR PROCUREMENT OR MANUFACTURING PURPOSES, UNLESS SPECIFICALLY AUTHORIZED BY GUNZE ELECTRONICS USA CORPORATION. ALL PATENT RIGHTS RELATING HERETO ARE EXPRESSLY RESERVED FOR GUNZE ELECTRONICS USA CORPORATION.	DIM CODE: [INCHES] [MILLIMETERS]	VIEW POINT: 	TITLE: RES-10.4-PL8 SENSOR, 10.4D 8-WIRE
This notice shall be marked on any reproduction hereof in whole or part.	CUSTOMER PART#	MATERIAL SPEC.	PART NO. 100-0944
		DATE: 11/06/17	SCALE: 1 : 1
			REVISION: 0
			GUNZE USA

GUNZE USA

Gunze Electronics USA Corporation
2113 Wells Branch Parkway
Austin, Texas 78728

**RES-10.4-PL8
SENSOR, 10.4D 8-WIRE**

PART NO. **100-0944** SCALE: **1 : 1**

CUSTOMER ID: **GUNZE USA** REVISION: **0**