

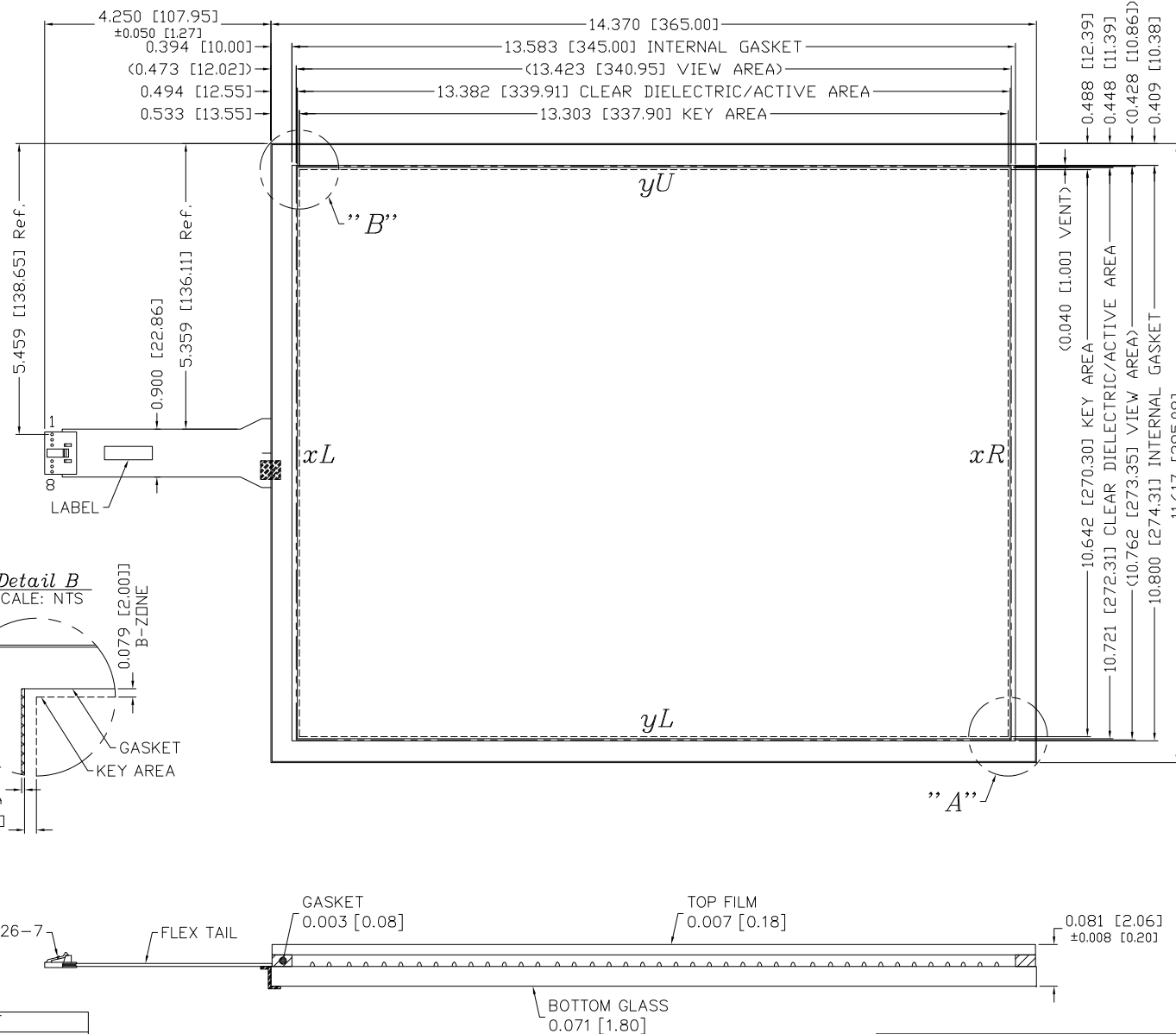
SENSOR SPECIFICATION

LINEARITY	ACTUATION FORCE	OPTICAL PER.
±1.5% AVE 3% MAX. DEV.	0.10 N (10 g) Min., 0.79 N (80 g) Max. STYLUS: R0.8 TIP, FINGER: R3.0 TIP	79% TRANSPARENCY PER JIS K7361-1

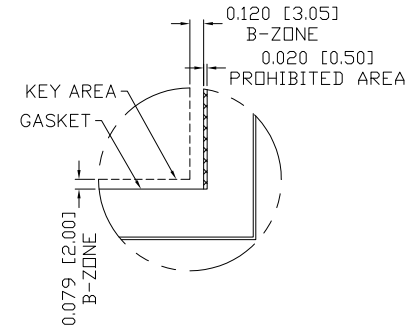
REVISIONS		
REV.	DESCRIPTION	DATE
0	ECO #270703.	07/24/07
A	ECO #230506: CHANGE COSMETIC GRADE FROM 3 TO 5.	07/24/07
B	UPDATE DRAWING, B-ZONE TO CURRENT STANDARD.	02/03/16
C	ECO #261018: CHANGE GLASS FROM 18PAT3242 TO 18PAS3243.	10/25/16
D		
E		
F		
G		

GENERAL NOTES:

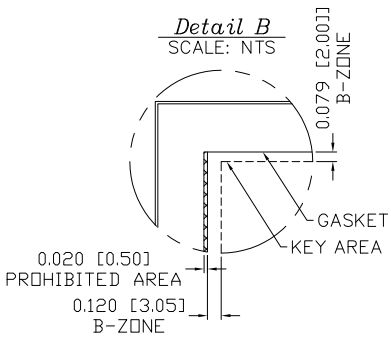
1. TOP FILM OFFSET FROM BOTTOM GLASS 0.020 [0.50].
2. MAX. VOLTAGE & CURRENT: 5 VDC, LESS THEN 1mA AT CONTACT POINT FROM TOP LAYER TO BOTTOM LAYER.
3. OPERATION TEMPERATURE: -10° TO 60°C
4. OPERATION HUMIDITY: < 40°C 20% to 95% RH NO CONDENSATION.
5. STORAGE TEMPERATURE: -20°C TO 70°C
6. FFC BEND R > 2.0MM NO SHARP CREASES
7. SURFACE HARDNESS: 3H AS PER JIS K 5400
8. COSMETIC INSPECTION: GRADE 5x
9. TERMINAL RESISTANCE:
XR-XL = 230-850 OHMS
YU-YL = 250-990 OHMS



Detail A
SCALE: NTS



Detail B
SCALE: NTS



PIN OUT		
1	YU	TOP EXCITE
2	YU REF	TOP SENSE
3	XL REF	LEFT SENSE
4	XL	LEFT EXCITE
5	YL	BOT. EXCITE
6	YL REF	BOT. SENSE
7	XR REF	RIGHT SENSE
8	XR	RIGHT EXCITE

CAD DRAWING
NOTICE

THIS DRAWING EMBODIES A PROPRIETARY DESIGN ORIGINATED BY GUNZE ELECTRONICS USA CORPORATION AND SHALL NOT BE DISCLOSED, USED, OR DUPLICATED FOR PROCUREMENT OR MANUFACTURING PURPOSES, UNLESS SPECIFICALLY AUTHORIZED BY GUNZE ELECTRONICS USA CORPORATION. ALL PATENT RIGHTS RELATING HERETO ARE EXPRESSLY RESERVED FOR GUNZE ELECTRONICS USA CORPORATION.
This notice shall be marked on any reproduction hereof in whole or part.

DEC. TOLERANCES:
.XXX = ±0.020
[.XX] = ±[0.51]

ANGULAR TOL. = ±1'
FRAC. TOL. XX = ±1/16

DIM CODE: INCHES
 [MILLIMETERS]

CUSTOMER PR:

MATERIAL SPEC.

DESIGNER:
LHRUIZ 01/14/07

CHKD.

DESIGN ENG.
LHRUIZ 01/14/07

VIEW POINT:

RLSE:
10/25/16

Gunze Electronics USA Corporation
2113 Wells Branch Parkway
Austin, Texas 78728

TITLE: **PL817.0E2**
SENSOR 17.1D, 8-WIRE

PART NO. 100-0691	SCALE: 1 : 1
CUSTOMER ID: GUNZE USA	REVISION: C