

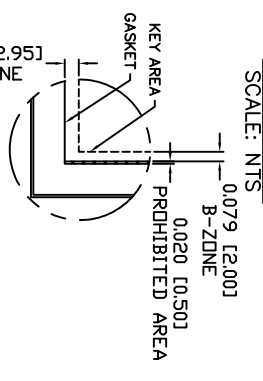
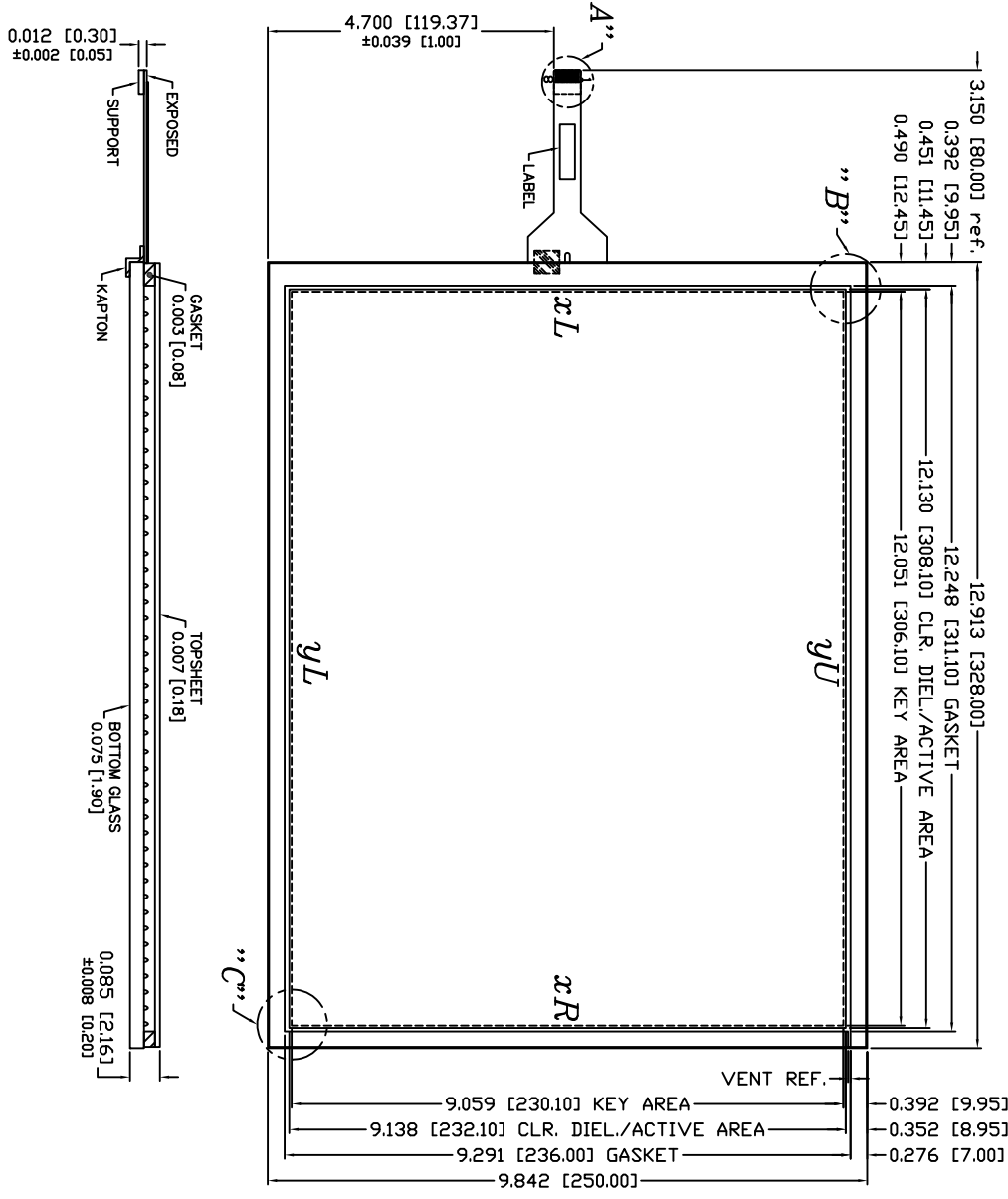
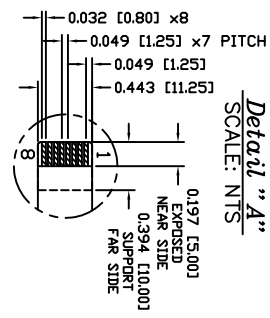
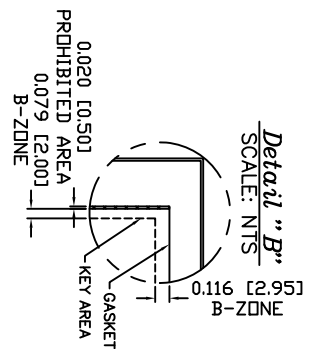
# SENSOR SPECIFICATION

LINEARITY	ACTUATION FORCE	OPTICAL PER.
+1.5% AVG 3% MAX. DEV.	0.10 N (10 g) Min., 0.80 N (80 g) Max. STYLUS: R0.8 TIP, FINGER: R3.0 TIP	79% TRANSPARENCY PER JIS K7361-1

REVISION	DESCRIPTION	DATE
0360 Rev.0	ECO #230416; MACOLA CONVERTED.	05/13/08
0360 Rev.1	ECO #230506; COSMETIC GRADE CHANGED FROM 3x TO 5x	05/15/13
0361 Rev.0	ECO #230103; GLASS AND FLEX TAIL CHANGE	07/18/19

### GENERAL NOTES:

- TOP FILM OFFSET FROM BOTTOM GLASS 0.020 [0.501]
- MAX. VOLTAGE & CURRENT:  
5 VDC, LESS THEN 1mA AT CONTACT POINT FROM TOP LAYER TO BOTTOM LAYER.
- OPERATION TEMPERATURE:  
0° TO 50°C
- OPERATION HUMIDITY:  
< 40°C 20% TO 95% RH NO CONDENSATION.
- STORAGE TEMPERATURE:  
-10°C TO 60°C
- FCC BEND R > 2.0MM  
NO SHARP CREASE
- SURFACE HARDNESS:  
3H AS PER JIS K 5400
- COSMETIC INSPECTION:  
GRADE 5x
- TERMINAL RESISTANCE:  
5YU-8YL = 240-770Ω  
3XL-4XR = 250-690Ω



1	<i>XR REF.</i>
2	<i>XL REF.</i>
3	<i>XL</i>
4	<i>XR</i>
5	<i>YU</i>
6	<i>YU REF.</i>
7	<i>YL REF.</i>
8	<i>YL</i>

**CAD DRAWING NOTICE**

THIS DRAWING EMBODIES A PROPRIETARY DESIGN ORIGINATED BY GUNZE ELECTRONICS USA CORPORATION AND SHALL NOT BE DISCLOSED OR REPRODUCED IN ANY MANNER WITHOUT THE WRITTEN AUTHORIZATION OF GUNZE ELECTRONICS USA CORPORATION. ALL PATENT RIGHTS RELATING TO THIS DRAWING ARE RESERVED FOR GUNZE ELECTRONICS USA CORPORATION.

This notice shall be marked on any reproduction hereof in whole or part.

DEC. TOLERANCES: XXX = ±0.020 [.XX] = ±[0.51] ANGULAR TOL. = ±1° FRAC. TOL. XXX = 1/16	DWG. CODE: [ MILLIMETERS ]	CUSTOMER PART#	MATERIAL SPEC.
DESIGNER: RPRESINA 05/13/08	DESIGNING: LHRUIZ 05/13/08	VIEW POINT:	SCALE: 1:1
DATE: 01/18/19	SCALE: 1:1	CUSTOMER ID:	REVISION:

Gunze Electronics USA Corporation  
2113 Wells Branch Parkway  
Austin, Texas 78728

**GUNZE USA**

Part No. G34-01  
100-0361  
SENSOR, 15.0D 8-WIRE

SCALE: 1:1  
REVISION: 0