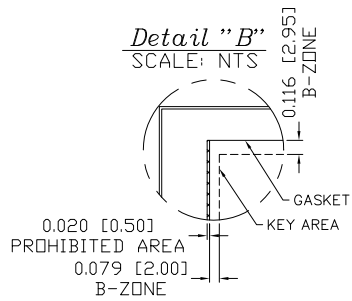


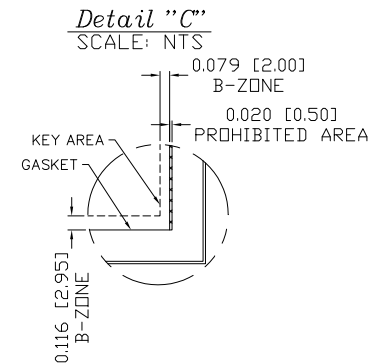
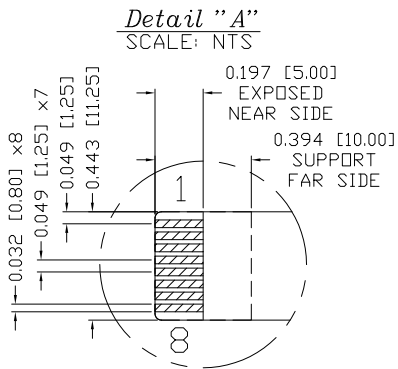
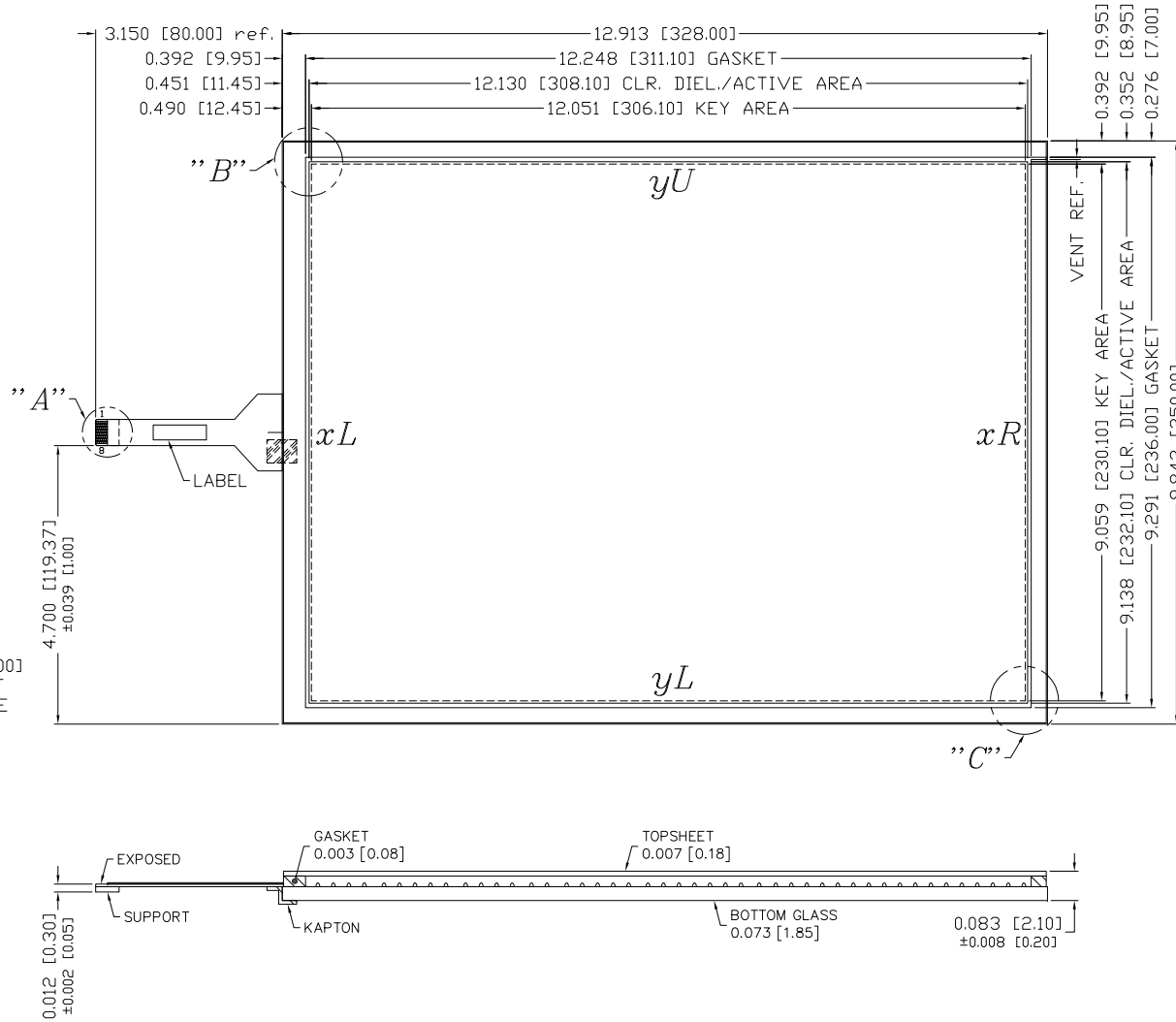
# SENSOR SPECIFICATION

REVISIONS		
Rev.	DESCRIPTION	DATE
O	ECO #280416: MACOLA CONVERTED.	05/13/08
A	ECO #230506: COSMETIC GRADE CHANGED FROM 3x TO 5x	05/15/13
B		
C		
D		
E		
F		
G		

LINEARITY	ACTUATION FORCE	OPTICAL PER.
±1.5% AVG 3% MAX. DEV.	0.10 N (10 g) Min., 0.80 N (80 g) Max. STYLUS: R0.8 TIP, FINGER: R3.0 TIP	79% TRANSPARENCY PER JIS K7361-1



- GENERAL NOTES:**
- TOP FILM OFFSET FROM BOTTOM GLASS 0.020 [0.50].
  - MAX. VOLTAGE & CURRENT: 5 VDC, LESS THEN 1mA AT CONTACT POINT FROM TOP LAYER TO BOTTOM LAYER.
  - OPERATION TEMPERATURE: 0° TO 50°C
  - OPERATION HUMIDITY: < 40°C 20% TO 95% RH NO CONDENSATION.
  - STORAGE TEMPERATURE: -10°C TO 60°C
  - FFC BEND R > 2.0MM NO SHARP CREASE
  - SURFACE HARDNESS: 3H AS PER JIS K 5400
  - COSMETIC INSPECTION: GRADE 5x
  - TERMINAL RESISTANCE:  
5YU-8YL = 240-770Ω  
3XL-4XR = 250-690Ω



PIN OUT	
1	XR REF.
2	XL REF.
3	XL
4	XR
5	YU
6	YU REF.
7	YL REF.
8	YL

CAD DRAWING NOTICE	DEC. TOLERANCES:	DESIGNER:	TITLE:	
THIS DRAWING EMBODIES A PROPRIETARY DESIGN ORIGINATED BY GUNZE ELECTRONICS USA CORPORATION AND SHALL NOT BE DISCLOSED, USED, OR DUPLICATED FOR PROCUREMENT OR MANUFACTURING PURPOSES, UNLESS SPECIFICALLY AUTHORIZED BY GUNZE ELECTRONICS USA CORPORATION. ALL PATENT RIGHTS RELATING HERETO ARE EXPRESSLY RESERVED FOR GUNZE ELECTRONICS USA CORPORATION. <b>This notice shall be marked on any reproduction hereof in whole or part.</b>	.XXX = ±0.020 [.XX] = ±[0.51]	RPESINA 05/13/08	Gunze Electronics USA Corporation 2113 Wells Branch Parkway Austin, Texas 78728	
	ANGULAR TOL. = ±1° FRAG. TOL. XX = ±1/16	CHKD:		
	DIM CODE: [ ] INCHES [ ] MILLIMETERS	DESIGN ENG. LHRUIZ 05/13/08	VIEW POINT:	<b>G34-01 SENSOR, 15.0D 8-WIRE</b>
	CUSTOMER PART:	MATERIAL SPEC.	05/15/13	

GUNZE USA	
PART NO. <b>100-0360</b>	SCALE: <b>1 : 1</b>
CUSTOMER ID: <b>GUNZE USA</b>	REVISION: <b>A</b>