

SENSOR SPECIFICATION

REVISIONS		
REV.	DESCRIPTION	DATE
0	ECD #270701: REPLACE JAPAN'S WITH TECHWAVE TAIL.	07/17/17
A		
B		
C		
D		
E		
F		
G		

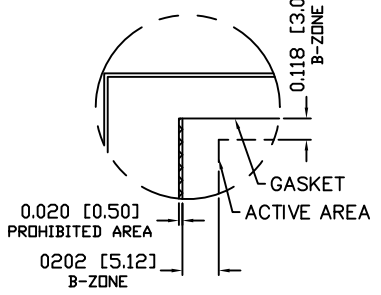
LINEARITY	ACTUATION FORCE	OPTICAL PER.
±1.5% AVG 3% MAX. DEV.	0.10 N (<10 g) Min., 0.79 N (<80 g) Max. STYLUS: R0.8 TIP, FINGER: R3.0 TIP	78% TRANSPARENCY PER JIS K7361-1

GENERAL NOTES:

1. TOP FILM OFFSET FROM BOTTOM GLASS 0.020 [0.50].
2. MAX. VOLTAGE & CURRENT: 5 VDC, LESS THEN 1mA AT CONTACT POINT FROM TOP LAYER TO BOTTOM LAYER.
3. OPERATION TEMPERATURE: -10° TO 60°C
4. OPERATION HUMIDITY: < 40°C 20% to 95% RH NO CONDENSATION.
5. STORAGE TEMPERATURE: -20°C TO 70°C
6. FFC BEND R > 2.0MM NO SHARP CREASE
7. SURFACE HARDNESS: 3H AS PER JIS K 5400
8. COSMETIC INSPECTION: GRADE 3x
9. TERMINAL RESISTANCE:
5YU-8YL = 240-750Ω
3XL-4XR = 250-670Ω

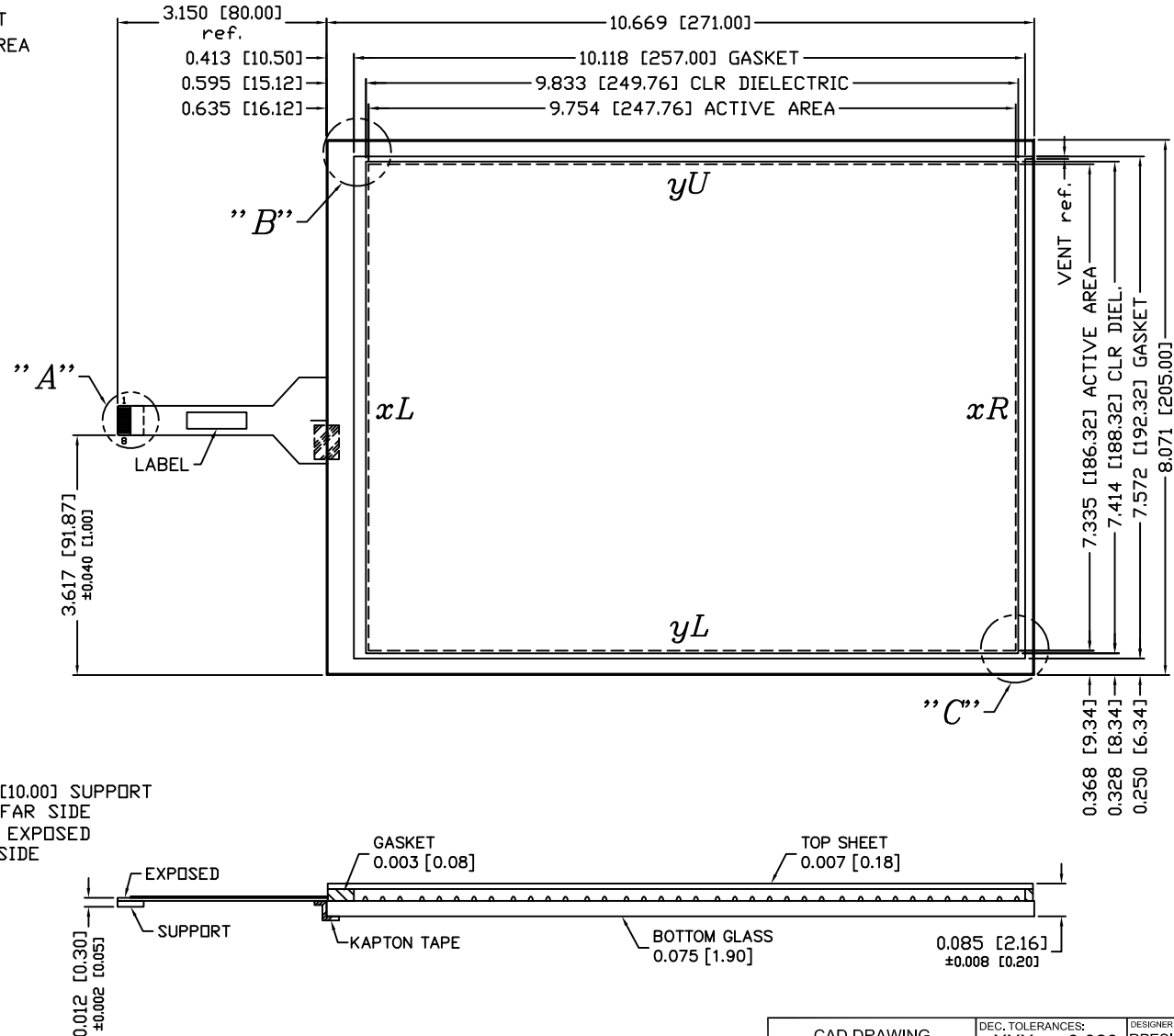
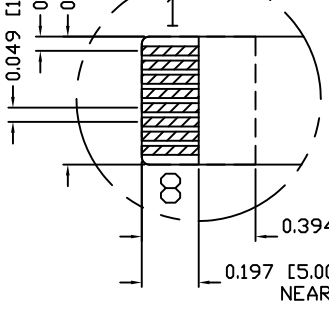
Detail B

SCALE: NTS



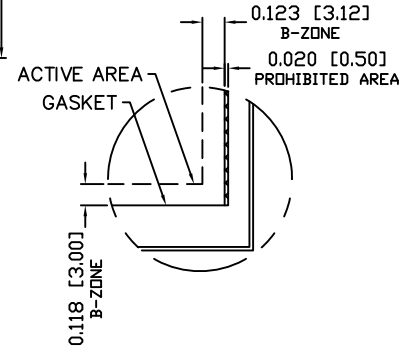
Detail A

SCALE: NTS



Detail C

SCALE: NTS



PIN OUT	
1	<i>XR REF.</i>
2	<i>XL REF.</i>
3	<i>XL</i>
4	<i>XR</i>
5	<i>YU</i>
6	<i>YU REF.</i>
7	<i>YL REF.</i>
8	<i>YL</i>

CAD DRAWING	DEC. TOLERANCES: .XXX = ±0.020 [.XX] = ±[0.51]	DESIGNER: RPESINA 05/29/08	<p style="font-size: small;">Gunze Electronics USA Corporation 2113 Wells Branch Parkway Austin, Texas 78728</p> <p style="font-weight: bold; font-size: large;">G-26-01 SENSOR, 12.2D 8-WIRE</p>
NOTICE	ANGULAR TOL = ±1° FRAC. TOL. XX = ±1/16	CHKD.	
THIS DRAWING EMBODIES A PROPRIETARY DESIGN ORIGINATED BY GUNZE ELECTRONICS USA CORPORATION AND SHALL NOT BE DISCLOSED, USED, OR DUPLICATED FOR PROCUREMENT OR MANUFACTURING PURPOSES UNLESS SPECIFICALLY AUTHORIZED BY GUNZE ELECTRONICS USA CORPORATION. ALL PATENT RIGHTS RELATING HERETO ARE EXPRESSLY RESERVED FOR GUNZE ELECTRONICS USA CORPORATION. This notice shall be marked on any reproduction hereof in whole or part.	DIM CODE: INCHES [MILLIMETERS]	DESIGN ENG. LHRUIZ 05/29/08	
	CUSTOMER PART#:	VIEW POINT:	
	MATERIAL SPEC.	RFS: 07/17/17	
			PART NO. 100-0342
			SCALE: 1 : 1
			CUSTOMER ID: GUNZE USA
			REVISION: 0