

SENSOR SPECIFICATION

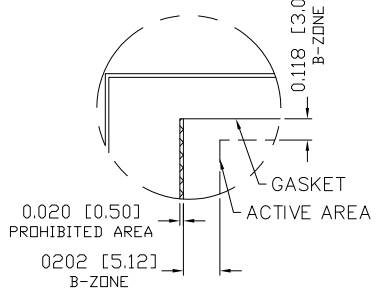
REVISIONS		
REV.	DESCRIPTION	DATE
0	ECO #200509: GLASS CHANGED.	11/04/10
A	ADD TAIL THICKNESS.	02/03/16
B		
C		
D		
E		
F		
G		

- GENERAL NOTES:**
- TOP FILM OFFSET FROM BOTTOM GLASS 0.020 [0.50].
 - MAX. VOLTAGE & CURRENT: 5 VDC, LESS THEN 1mA AT CONTACT POINT FROM TOP LAYER TO BOTTOM LAYER.
 - OPERATION TEMPERATURE: -10° TO 60°C
 - OPERATION HUMIDITY: < 40°C 20% to 95% RH NO CONDENSATION.
 - STORAGE TEMPERATURE: -20°C TO 70°C
 - FFC BEND R > 2.0MM NO SHARP CREASE
 - SURFACE HARDNESS: 3H AS PER JIS K 5400
 - COSMETIC INSPECTION: GRADE 3x
 - TERMINAL RESISTANCE:
5YU-8YL = 240-750Ω
3XL-4XR = 250-670Ω

LINEARITY	ACTUATION FORCE	OPTICAL PER.
±1.5% AVG 3% MAX. DEV.	0.10 N (<10 g) Min., 0.79 N (<80 g) Max. STYLUS: R0.8 TIP, FINGER: R3.0 TIP	78% TRANSPARENCY PER JIS K7361-1

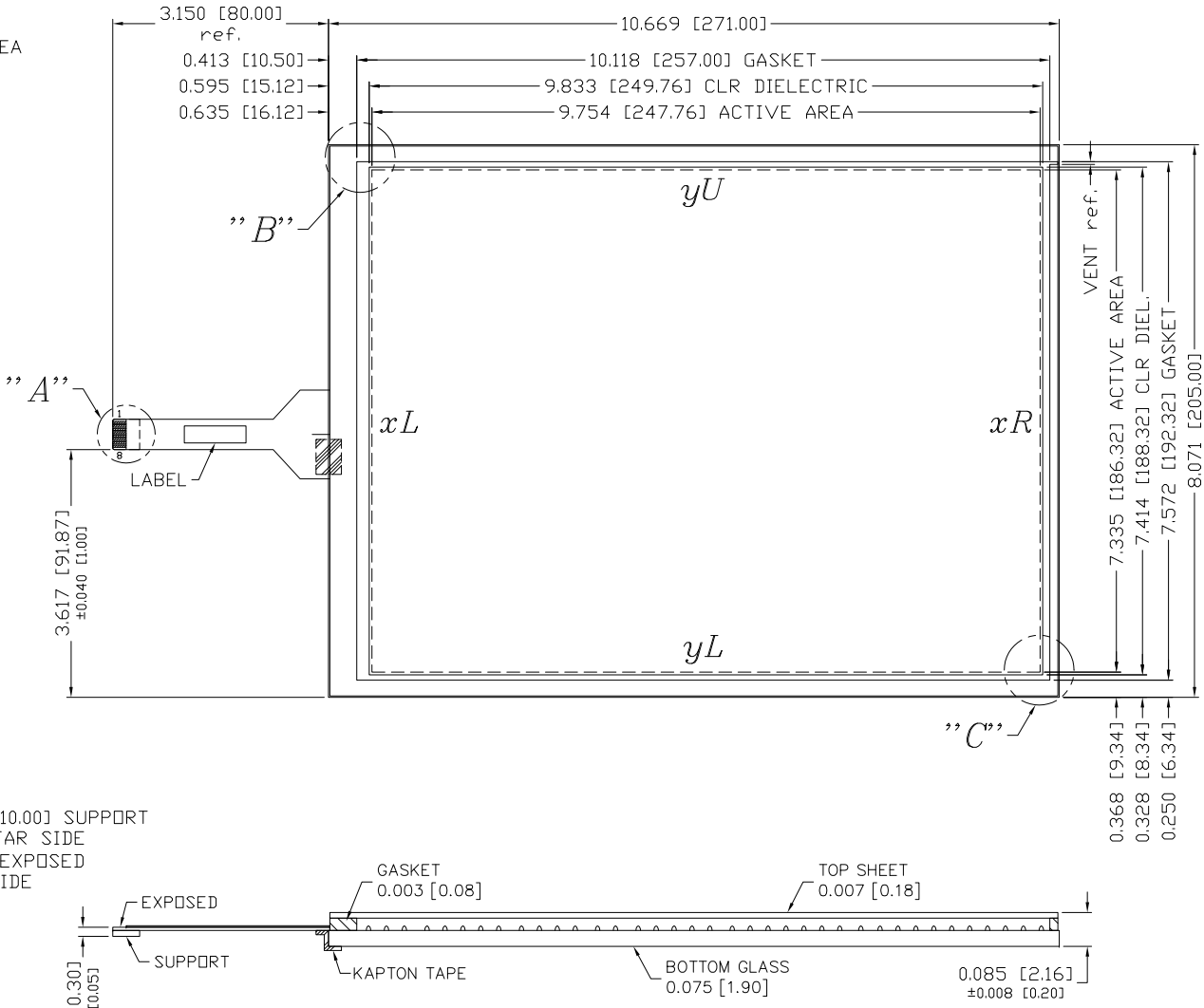
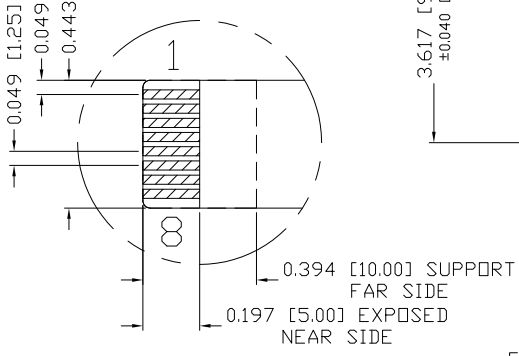
Detail B

SCALE: NTS



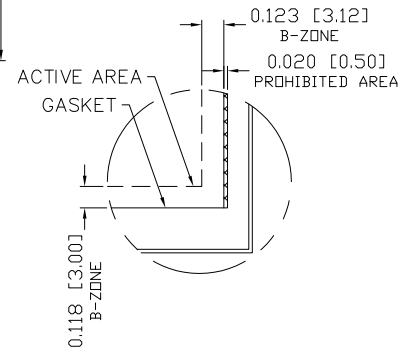
Detail A

SCALE: NTS



Detail C

SCALE: NTS



PIN OUT	
1	XR REF.
2	XL REF.
3	XL
4	XR
5	YU
6	YU REF.
7	YL REF.
8	YL

CAD DRAWING NOTICE <small>THIS DRAWING EMBODIES A PROPRIETARY DESIGN ORIGINATED BY GUNZE ELECTRONICS USA CORPORATION AND SHALL NOT BE DISCLOSED, USED, OR DUPLICATED FOR PROCUREMENT OR MANUFACTURING PURPOSES, UNLESS SPECIFICALLY AUTHORIZED BY GUNZE ELECTRONICS USA CORPORATION. ALL PATENT RIGHTS RELATING HERETO ARE EXPRESSLY RESERVED FOR GUNZE ELECTRONICS USA CORPORATION. This notice shall be marked on any reproduction hereof in whole or part.</small>	DEC. TOLERANCES: .XXX = ±0.020 [.XX] = ±[0.51]	DESIGNER: RPESINA 05/29/08 CHRD.		
	ANGULAR TOL = 1° FRAC. TOL. XX = ±1/16	DESIGN ENG. LHRUIZ 05/29/08		TITLE: G-26-01 SENSOR, 12.2D 8-WIRE
DIM CODE: [] INCHES [] MILLIMETERS	CUSTOMER PART#:	VIEW POINT:	PART NO. 100-0341	SCALE: 1:1
MATERIAL SPEC.	RLS: 11/04/10		CUSTOMER ID: GUNZE USA	REVISION: A

GUNZE USA

Gunze Electronics USA Corporation
 2113 Wells Branch Parkway
 Austin, Texas 78728