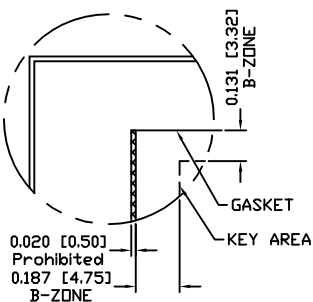


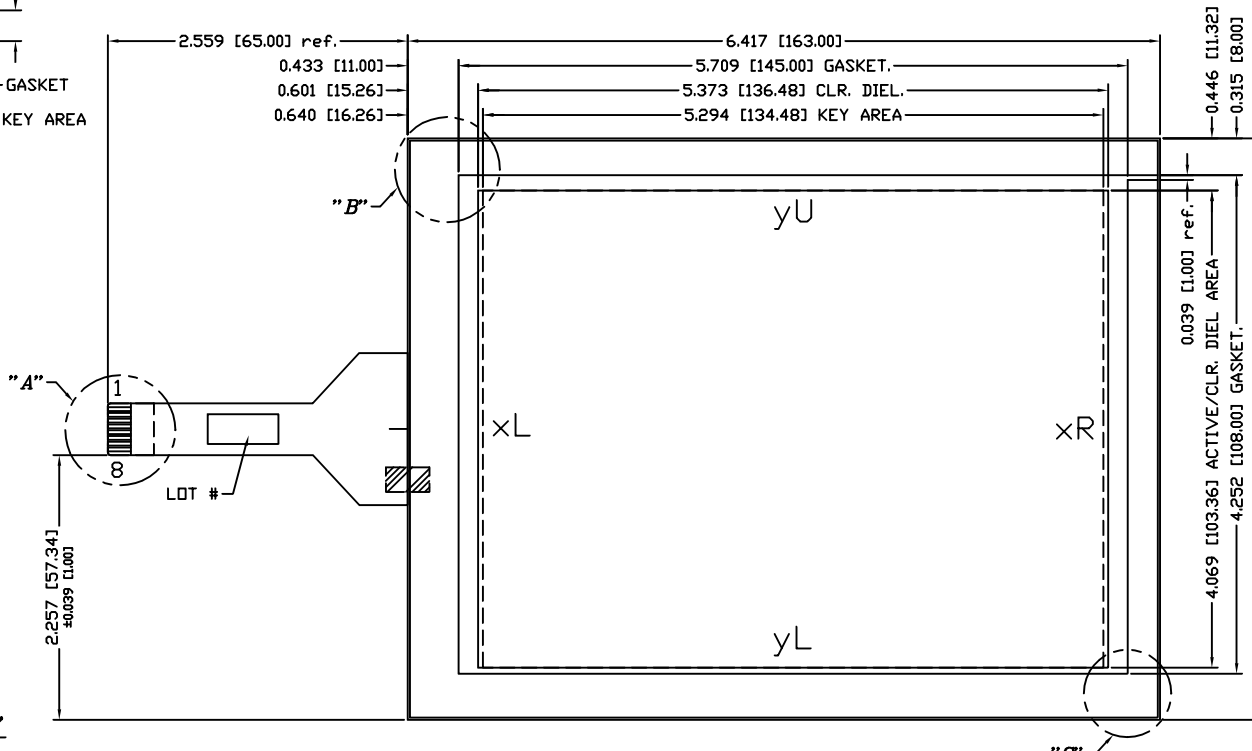
**Detail "B"**  
SCALE: NTS



**SENSOR SPECIFICATION**

LINEARITY	ACTUATION FORCE	OPTICAL PER.
±1.5% AVG 3% MAX. DEV.	0.10 N (10 g) Min., 0.79 N (80 g) Max. STYLUS: R0.8 TIP, FINGER: R3.0 TIP	78% TRANSPARENCY PER JIS K7361-1

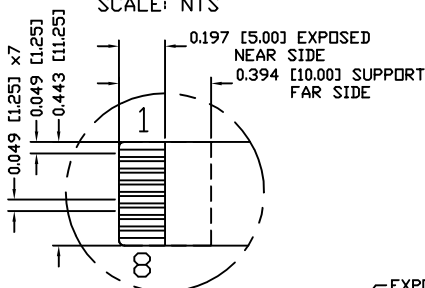
REVISIONS		
REV.	DESCRIPTION	DATE
0	ECD #280901	09/03/08
1		
2		
3		
4		
5		
6		
7		



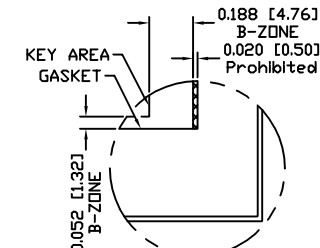
**GENERAL NOTES:**

- TOP FILM OFFSET FROM BOTTOM GLASS 0.020 [0.50].
- MAX. VOLTAGE & CURRENT: 5 VDC, LESS THEN 1mA AT CONTACT POINT FROM TOP LAYER TO BOTTOM LAYER.
- OPERATION TEMPERATURE: -10° TO 60°C
- OPERATION HUMIDITY: < 40°C 20% to 95% RH NO CONDENSATION.
- STORAGE TEMPERATURE: -20°C TO 70°C
- FFC BEND R > 2.0MM NO SHARP CREASE
- SURFACE HARDNESS: 3H AS PER JIS K 5400
- COSMETIC INSPECTION: GRADE 3x
- TERMINAL RESISTANCE:  
5YU-8YL = 240-680Ω  
3XL-4XR = 250-590Ω

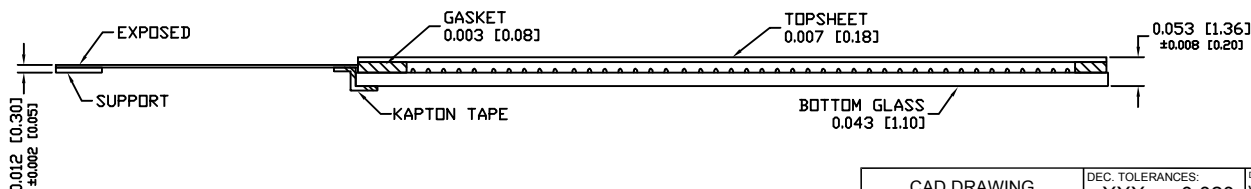
**Detail "A"**  
SCALE: NTS



**Detail "C"**  
SCALE: NTS



PINOUT	
1	XR REF.
2	XL REF.
3	XL
4	XR
5	YU
6	YU REF.
7	YL REF.
8	YL



<p>CAD DRAWING <b>NOTICE</b></p> <p>THIS DRAWING EMBODIES A PROPRIETARY DESIGN ORIGINATED BY GUNZE ELECTRONICS USA CORPORATION AND SHALL NOT BE DISCLOSED, USED, OR DUPLICATED FOR PROCUREMENT OR MANUFACTURING PURPOSES, UNLESS SPECIALLY AUTHORIZED BY GUNZE ELECTRONICS USA CORPORATION. ALL PATENT RIGHTS RELATING HERETO ARE EXPRESSLY RESERVED FOR GUNZE ELECTRONICS USA CORPORATION.</p> <p>This notice shall be marked on any reproduction hereof in whole or part.</p>	<p>DEC. TOLERANCES: .XXX = ±0.020 [.XX] = ±[0.51]</p> <p>ANGULAR TOL = ±1° FRAC. TOL XX = ±1/16</p> <p>DIM CODE: [INCHES] [MILLIMETERS]</p> <p>CUSTOMER PART:</p> <p>MATERIAL SPEC.</p>	<p>DESIGNER: VTRINH 09/03/08</p> <p>CHKD.</p> <p>DESIGN ENG. LHRUIZ 09/03/08</p> <p>VIEW POINT:</p> <p>RLSE: 09/03/08</p>	<p><b>GUNZE USA</b></p> <p>Gunze Electronics USA Corporation 2113 Wells Branch Parkway Austin, Texas 78728</p> <p>TITLE: G24-01 SENSOR, 6.7D 8-WIRE</p> <p>PART NO. 100-0311 SCALE: 2:1</p> <p>CUSTOMER ID: GUNZE USA REVISION: 0</p>
---	---	---	---