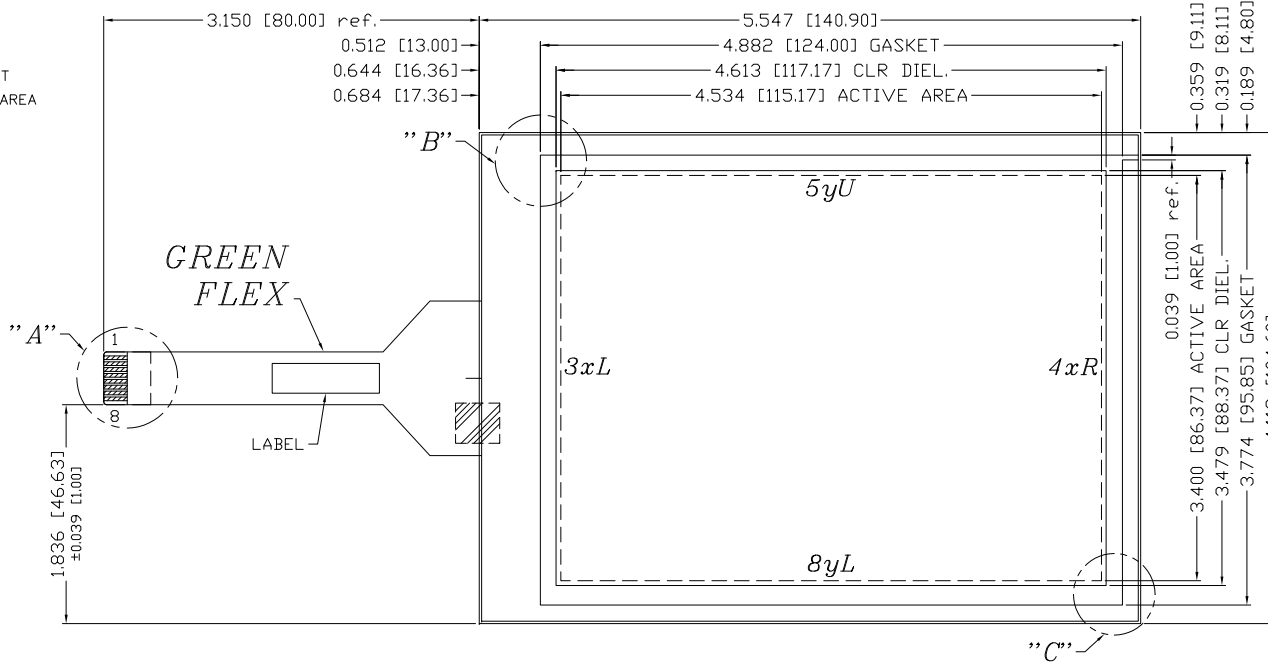
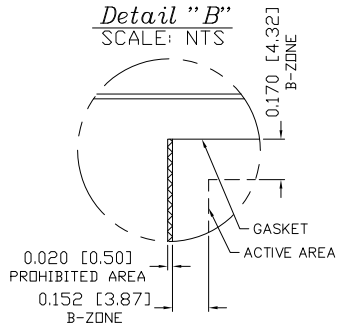


# SENSOR SPECIFICATION

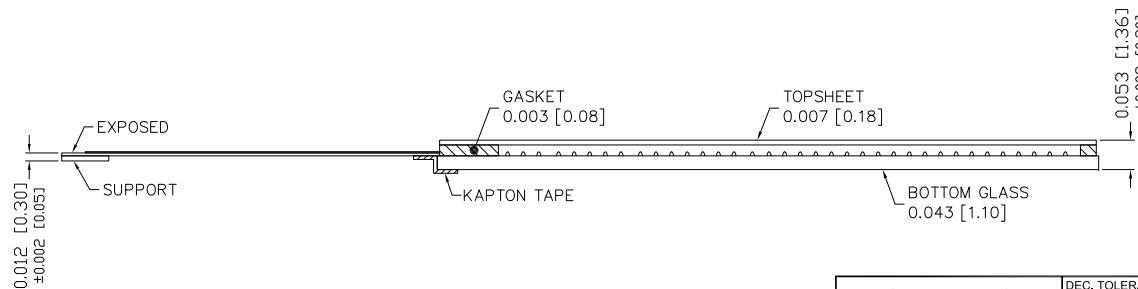
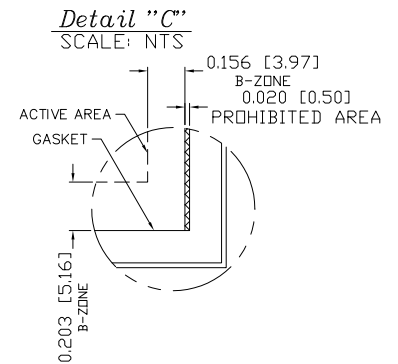
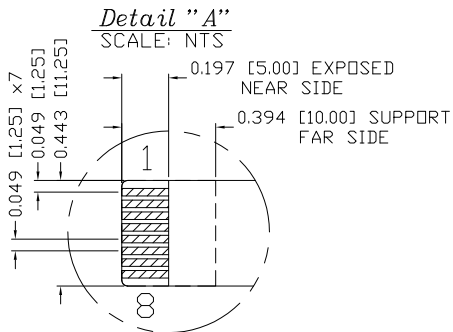
LINEARITY	ACTUATION FORCE	OPTICAL PER.
±1.5% AVG. 3% MAX. DEV.	0.10 N (10 g) Min., 0.79 N (80 g) Max. STYLUS: R0.8 TIP, FINGER: R3.0 TIP	78% TRANSMITTANCE PER JIS K7361-1

REVISIONS		
REV.	DESCRIPTION	DATE
O	ECO #250806	08/12/15
A	REMOVED DETAIL D BECAUSE OF TAIL CHANGED.	08/14/15
B	REMOVED "CARBON", ADD "GREEN FLEX" TEXT	01/17/17
C		
D		
E		
F		
G		



**GENERAL NOTES:**

1. TOP FILM OFFSET FROM BOTTOM GLASS 0.020 [0.50].
2. MAX. VOLTAGE & CURRENT: 5 VDC, LESS THEN 1mA AT CONTACT POINT FROM TOP LAYER TO BOTTOM LAYER.
3. OPERATION TEMPERATURE: -10° TO 60°C
4. HUMIDITY: < 40°C 20% to 95% RH NO CONDENSATION.
5. STORAGE TEMPERATURE: -20°C TO 70°C
6. FFC BEND R > 2.0MM NO SHARP CREASE
7. SURFACE HARDNESS: 3H AS PER JIS K 5400
8. COSMETIC INSPECTION: GRADE 3x
9. TERMINAL RESISTANCE: 5YU-8YL = 250-700Ω  
3XL-4XR = 240-610Ω



PIN OUT	
1	<i>XR REF.</i>
2	<i>XL REF.</i>
3	<i>XL</i>
4	<i>XR</i>
5	<i>YU</i>
6	<i>YU REF.</i>
7	<i>YL REF.</i>
8	<i>YL</i>

CAD DRAWING	DEC. TOLERANCES:	DESIGNER:	<b>GUNZE USA</b>
<b>NOTICE</b>	.XXX = ±0.020 [.XX] = ±[0.51]	VTRINH 08/12/15	
THIS DRAWING EMBODIES A PROPRIETARY DESIGN ORIGINATED BY GUNZE ELECTRONICS USA CORPORATION AND SHALL NOT BE DISCLOSED, USED, OR DUPLICATED FOR PROCUREMENT OR MANUFACTURING PURPOSES, UNLESS SPECIFICALLY AUTHORIZED BY GUNZE ELECTRONICS USA CORPORATION. ALL PATENT RIGHTS RELATING HERETO ARE EXPRESSLY RESERVED FOR GUNZE ELECTRONICS USA CORPORATION. <b>This notice shall be marked on any reproduction hereof in whole or part.</b>	ANGULAR TOL = ±1° FRAC. TOL. XX = ±1/16	CHKD.	
	DIM CODE: [ ] INCHES [ ] MILLIMETERS	DESIGN ENG.	
	CUSTOMER PART#	LHRUIZ 08/12/15	
	MATERIAL SPEC.	VIEW POINT:	
			<b>G22-01</b> <b>SENSOR, 5.7D 8-WIRE</b>
	RLSE: 01/17/17		PART NO. <b>100-0292</b> SCALE: <b>2:1</b> CUSTOMER ID: <b>GUNZE USA</b> REVISION: <b>B</b>