

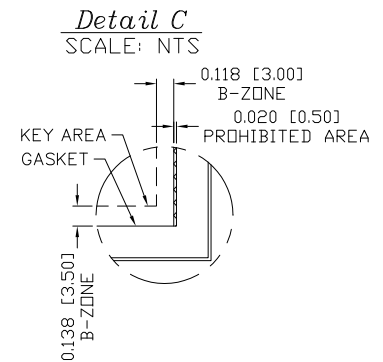
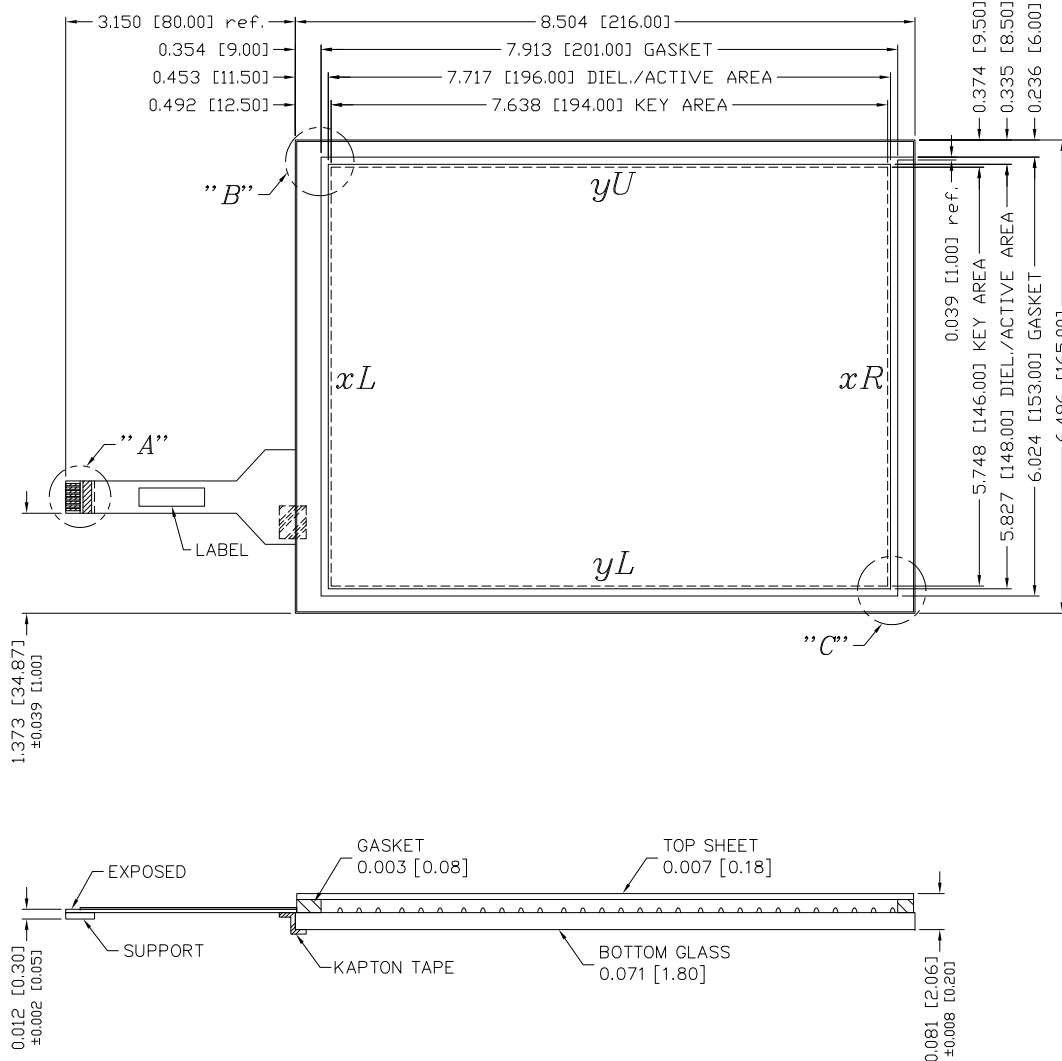
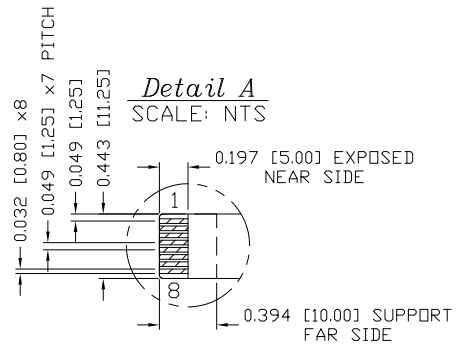
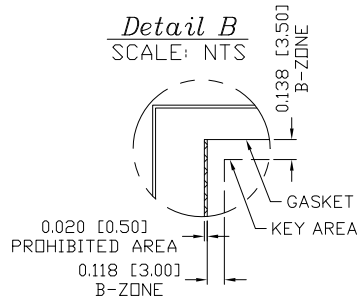
SENSOR SPECIFICATION

LINEARITY	ACTUATION FORCE	OPTICAL PER.
±1.5% AVG 3% MAX. DEV.	0.10 N (<10 g) Min., 0.79 N (<80 g) Max. STYLUS: R0.8 TIP, FINGER: R3.0 TIP	79% TRANSPARENCY PER JIS K7361-1

REVISIONS		
REV.	DESCRIPTION	DATE
0	ECO #280416: MACOLA CONVERTED.	05/13/08
A	ECO #290120: IMPLEMENT REDLINES.	01/26/09
B		
C		
D		
E		
F		
G		

GENERAL NOTES:

1. TOP FILM OFFSET FROM BOTTOM GLASS 0.020 [0.50].
2. MAX. VOLTAGE & CURRENT:
5 VDC, LESS THEN 1mA AT CONTACT POINT FROM TOP LAYER TO BOTTOM LAYER.
3. OPERATION TEMPERATURE:
0° TO 50°C
4. OPERATION HUMIDITY:
< 40°C 20% to 95% RH NO CONDENSATION.
5. STORAGE TEMPERATURE:
-10°C TO 60°C
6. FFC BEND R > 2.0MM
NO SHARP CREASE
7. SURFACE HARDNESS:
3H AS PER JIS K 5400
8. COSMETIC INSPECTION:
GRADE 3x
9. TERMINAL RESISTANCE:
5YU-8YL = 250-700Ω
3XL-4XR = 250-600Ω



PIN OUT	
1	<i>XR REF.</i>
2	<i>XL REF.</i>
3	<i>XL</i>
4	<i>XR</i>
5	<i>YU</i>
6	<i>YU REF.</i>
7	<i>YL REF.</i>
8	<i>YL</i>

CAD DRAWING	DEC. TOLERANCES:	DESIGNER:	GUNZE USA	
NOTICE	.XXX = ±0.020 [.XX] = ±[0.51]	RPESINA 06/12/08		
THIS DRAWING EMBODIES A PROPRIETARY DESIGN ORIGINATED BY GUNZE ELECTRONICS USA CORPORATION AND SHALL NOT BE DISCLOSED, USED, OR DUPLICATED FOR PROCUREMENT OR MANUFACTURING PURPOSES, UNLESS SPECIFICALLY AUTHORIZED BY GUNZE ELECTRONICS USA CORPORATION. ALL PATENT RIGHTS RELATING HERETO ARE EXPRESSLY RESERVED FOR GUNZE ELECTRONICS USA CORPORATION. This notice shall be marked on any reproduction hereof in whole or part.	ANGULAR TOL = ±1° FRAC. TOL. XX = ±1/16	CHKD.	Gunze Electronics USA Corporation 2113 Wells Branch Parkway Austin, Texas 78728	
	DIM CODE: [] INCHES [] MILLIMETERS	DESIGN ENG.	LHRUIZ 06/12/08	G-17-01 SENSOR, 9.6D 8-WIRE
	CUSTOMER PART #	VIEW POINT:		PART NO. 100-0280
	MATERIAL SPEC.	RLSE:	01/26/09	CUSTOMER ID: GUNZE USA
			SCALE: 1 : 1	
			REVISION: A	